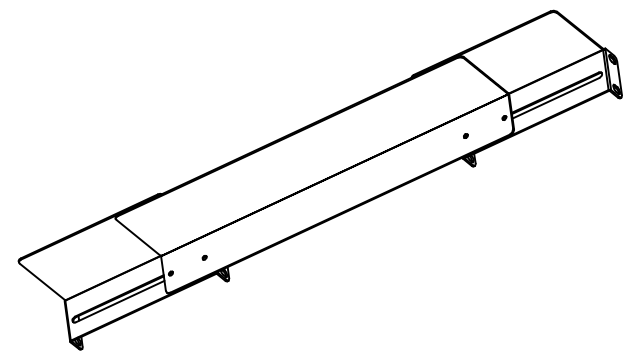
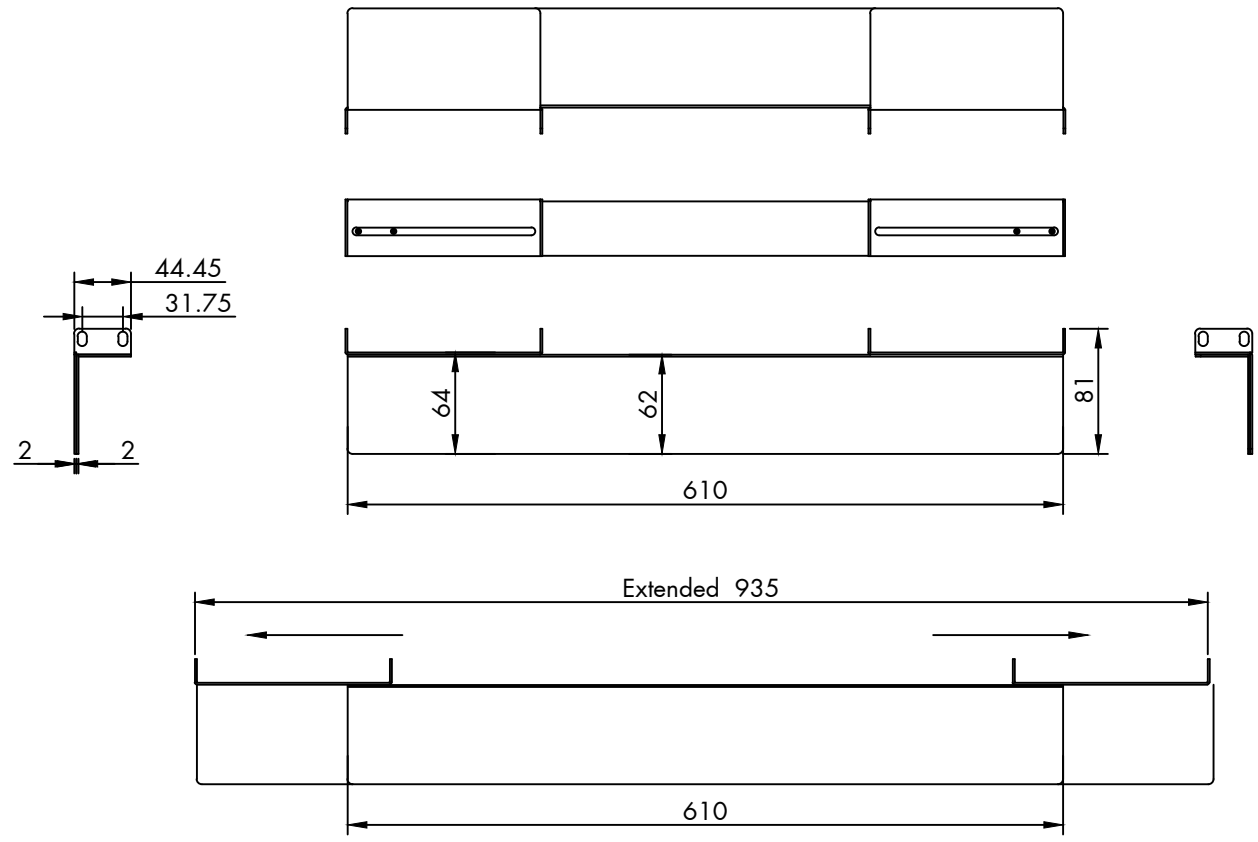


CONFIGURATION DETAILS OF
UNDIMENSIONED FEATURES
MAY VARY

REVISIONS			
REV	DESCRIPTION	DATE	APPROVED
A0	INITIAL RELEASE	2023.01.03	



NOTE:
 1. 2pcs/set /brown box+label
 2. Accessory:
 Screw /cage nut/ black washer ----M6*16 8sets
 3. Max load of the rails:90kg
 RoHS(2011/65/EU) and (2015/863/EU) and REACH COMPLIANT

NAME	VALUE 19" Cabinet rails 1U (max. depth 935mm)		
ITEM NO.	26.99.0414		
SECOMP	MAPE	TOLERANCE	
		X.	±1.00
	DRAW BY	SCALE	MM
		PAGE	1/1

NO.	PART NAME	DESCRIPTION	QUANTITY	REMARKS
①	METAL	2.0MM/SPCC WITH BLACK COLOUR PAINTING	1	