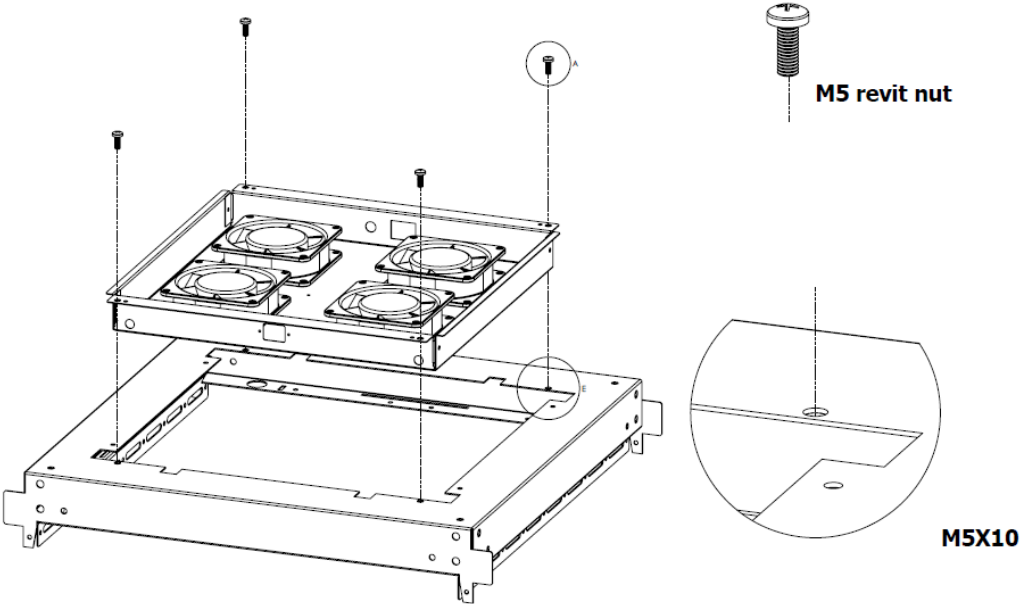


Mounting Instruction



Technical Drawings

