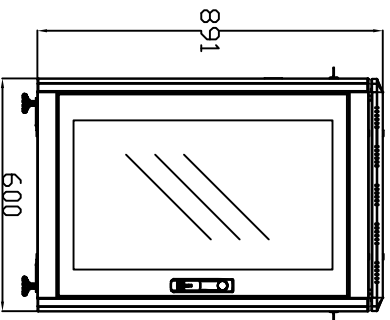
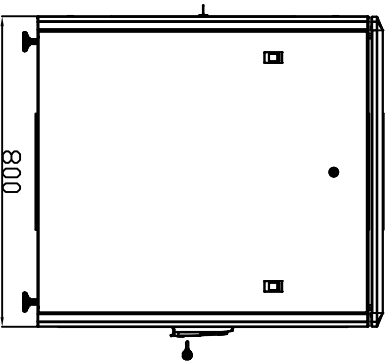


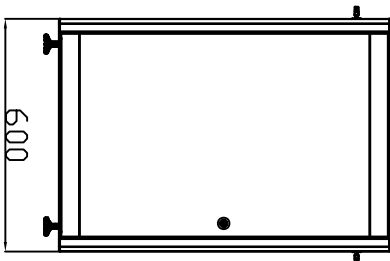
BOTTOM VIEW



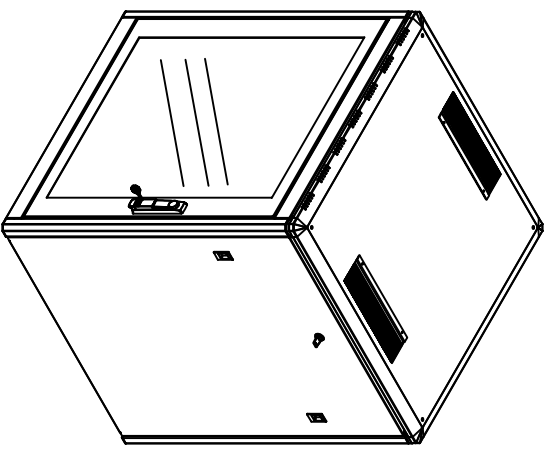
FRONT VIEW



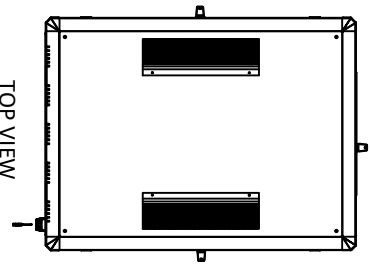
SIDE VIEW



REAR VIEW



ISOMETRIC VIEW



TOP VIEW