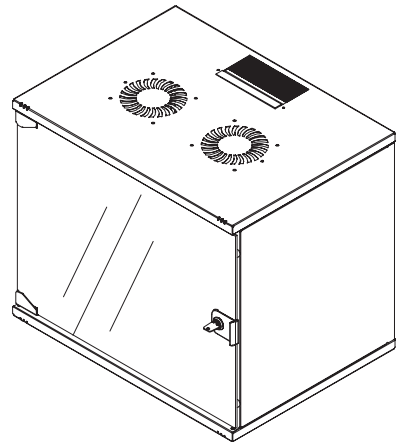
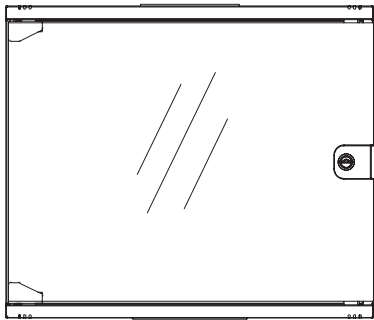


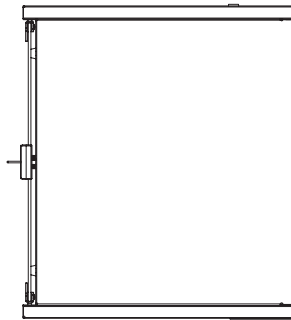
Bottom view



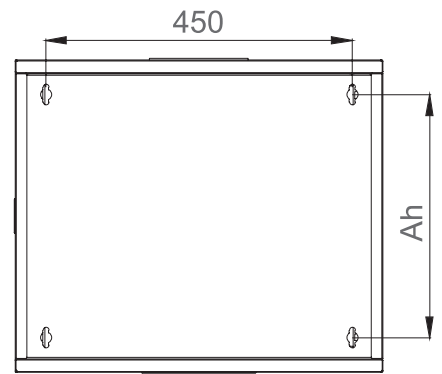
Isometric view



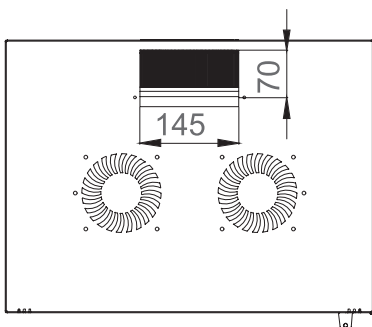
Front view



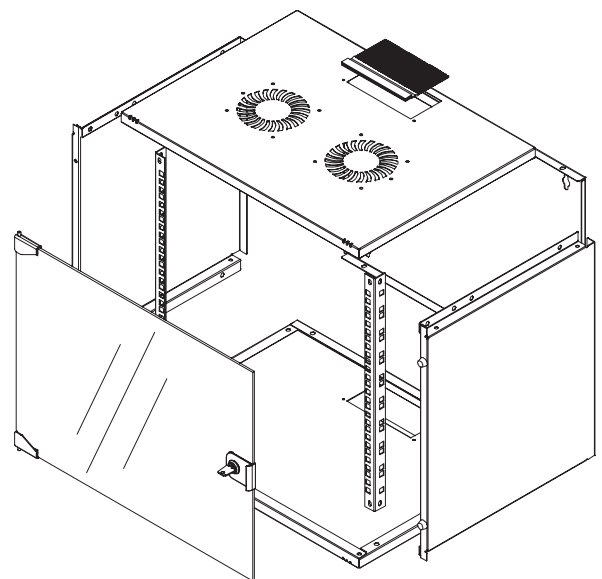
Side view



Rear view



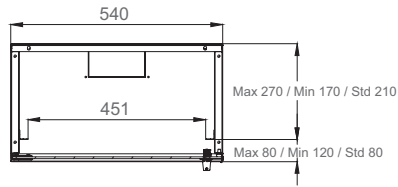
Top view



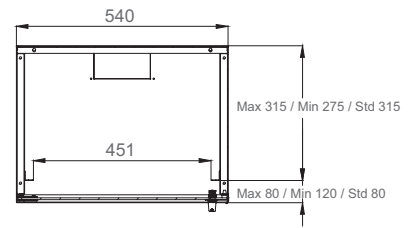
Exploded view

Max / Std / Min  
Equipment Mounting  
Distance

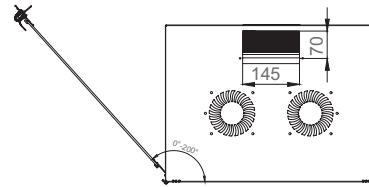
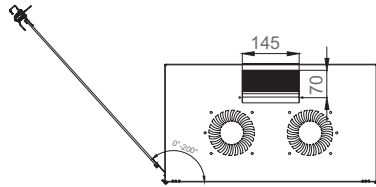
D=300 mm



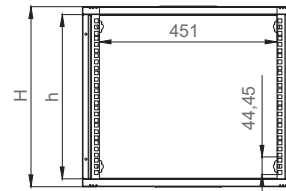
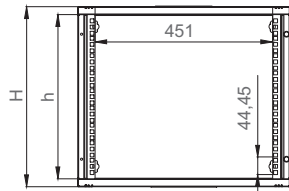
D=400 mm



Front Door  
Opening Angle

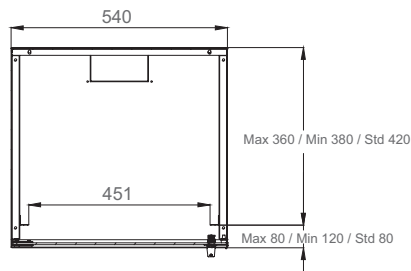


Dimensions in  
Width and Height

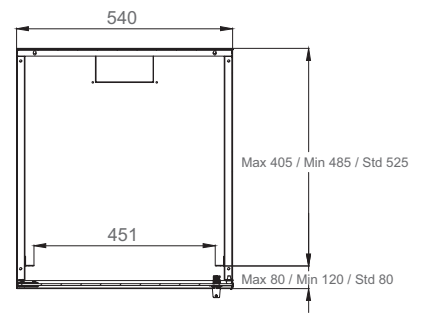


Max / Std / Min  
Equipment Mounting  
Distance

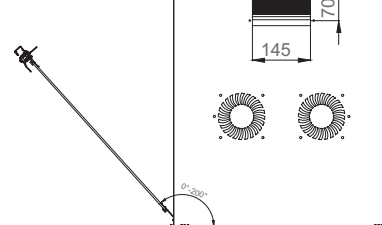
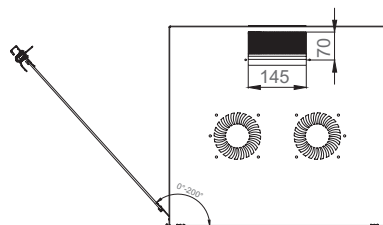
D=500 mm



D=600 mm



Front Door  
Opening Angle



Dimensions in  
Width and Height

