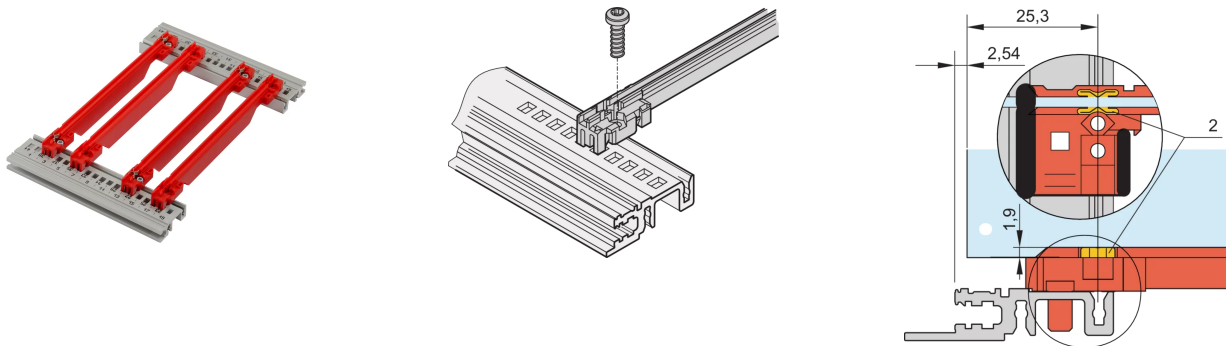


## 64568-076 GUIDE RAIL ACCESSORY TYPE, STRENGTHENED, PC, 160 MM, 2 MM GROOVE WIDTH, RED



### KEY FEATURES

NEW generation Strengthened Accessory type plastic guide rails for reliable retention of PCBs or plug-in units

Significantly increased stability, due to a high quality material (PC) and an optimized design, which also allows now the usage with rugged horizontal rails

Improved fire safety properties, fulfills EN 45545-2 requirement sets R22, R23 and R24 with HL3

"Halogen-Free", according to IEC 61249-2-21

Can be clipped into horizontal rails (Al extrusion) or into 1.5 mm thick plates

Can be bolted to the horizontal rails Type H and R for higher shock and vibration requirements

Optional ESD clip for an conductive contact between PCB and horizontal rail available

Storage temperature: from -40 °C ... 130 °C

### PRODUCT ATTRIBUTES

Product Type: Guide Rail

Type: Strengthened

Works With: Subracks; Cases; 19" Chassis; Systems

Board Depth: 160 mm

Groove Width: 2

Material: Polycarbonate

Color: Red

Complies With: EN 45545-2

Package Quantity: 50

## ADDITIONAL PRODUCT DETAILS

---

New generation of Strengthened Accessory type guide rails for PCBs or plug-in units. Forms a reliable interface between the subrack mechanics and the sub-assemblies. With the optimized design and the new high quality plastic material not just the stability was significantly increased, but also the fire safety properties improved. Which means the material ensures a low flammability, low smoke toxicity and density and fulfills the EN 45545-2 (Fire Safety in Railway Vehicle) requirements sets R22, R23 and R24 with the highest hazard level HL3. In addition the guide rails are also considered as "Halogen-Free", according to IEC 61249-2-21.

Please take into consideration that deliveries may be carried out in the stated SPQs (SPQ, e.g. 5 pieces, 10 pieces, 50 pieces, etc.). Differing order quantities (e.g. 2 pieces) may be changed to the next possible delivery quantity = Standard Pack Quantity.

### North America

All locations  
+1.763.422.2661  
Chat with us:  
[schroff.nvent.com](https://schroff.nvent.com)

### Europe

Straubenhardt, Germany  
+49.7082.794.0  
Betschdorf, France  
+33.3.88.90.64.90  
Warsaw, Poland  
+48.22.209.98.35  
Assago, Italy  
+39.02.932.7141  
Chat with us:  
[schroff.nvent.com](https://schroff.nvent.com)

### Asia

Shanghai, China  
+86.21.2412.6943  
Qingdao, China  
+86.532.8771.6101  
Singapore  
+65.6768.5800  
Shin-Yokohama, Japan  
+81.45.476.0271  
Chat with us:  
[schroff.nvent.com](https://schroff.nvent.com)

### Middle East & India

Dubai, United Arab Emirates  
+971.4.378.1700  
Bangalore, India  
+91.80.6715.2001  
Istanbul, Turkey  
+90.216.250.7374  
Chat with us:  
[schroff.nvent.com](https://schroff.nvent.com)



Our powerful portfolio of brands:  
[nVent.com](https://nVent.com) **CADDY ERICO HOFFMAN RAYCHEM SCHROFF TRACER**

© 2023 nVent. All nVent marks and logos are owned or licensed by nVent Services GmbH or its affiliates. All other trademarks are the property of their respective owners.

nVent reserves the right to change specifications without notice.