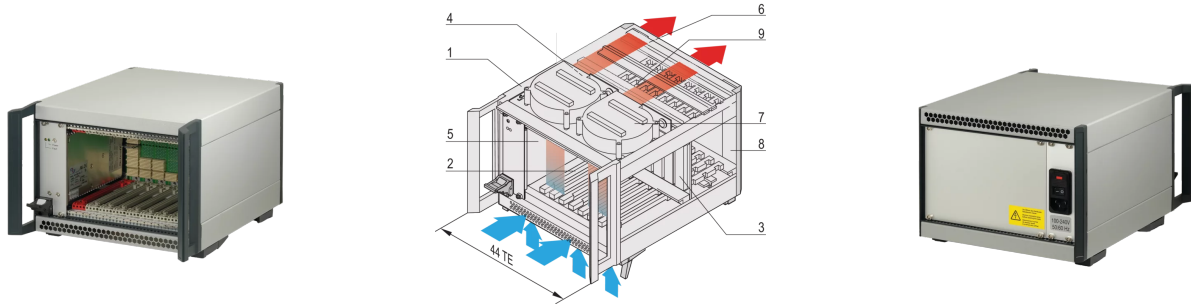


24579-634 CPCI SERIAL SYSTEM WITH 19" PSU, DESKTOP, 4 U, 8 SLOT, 44 HP



KEY FEATURES

System in accordance with IEC-60297-3-101, -102, -103; IEEE-1101.1, 1101.10/11; backplane in accordance with PICMG CPCI-S.0

System with vertical card cage. Board format Front: 3 U, 160 mm deep, 9 slot

Backplane 9 slot, 3 U, CompactPCI Serial; Power backplane

Heat dissipation by two radial fans, airflow front to rear

19" PSU, 300 W, 3-U, 8-HP

PRODUCT ATTRIBUTES

Product Type: System

Number of Slots: 9

Type: Desktop

Backplane Type: 3 U CompactPCI Serial with Ethernet Star

Data Transfer: PCIe Gen3

Power per Slot: 30 W

Input Voltage AC: 100 – 240 V

Airflow Direction: Front to Rear

Rack Height: 4 U

Power Supply Type: (1) Pluggable PSU

Power Supply Included: Yes

Rear I/O: No

Complies With: PICMG CPCI-S.0 R2.0

Depth: 275 mm

Height: 177 mm

ADDITIONAL PRODUCT DETAILS

CompactPCI Serial Desktop Chassis with vertical Card Cage nine 3 U Boards and one CompactPCI 3 U Pluggable Power Supply.

Modified systems available on request.

CERTIFICATIONS

 **RoHS**
COMPLIANT



North America

All locations
+1.763.422.2661
Chat with us:
schroff.nvent.com

Europe

Straubenhardt, Germany
+49.7082.794.0
Betschdorf, France
+33.3.88.90.64.90
Warsaw, Poland
+48.22.209.98.35
Assago, Italy
+39.02.932.7141
Chat with us:
schroff.nvent.com

Asia

Shanghai, China
+86.21.2412.6943
Qingdao, China
+86.532.8771.6101
Singapore
+65.6768.5800
Shin-Yokohama, Japan
+81.45.476.0271
Chat with us:
schroff.nvent.com

Middle East & India

Dubai, United Arab Emirates
+971.4.378.1700
Bangalore, India
+91.80.6715.2001
Istanbul, Turkey
+90.216.250.7374
Chat with us:
schroff.nvent.com



Our powerful portfolio of brands:
nVent.com **CADDY ERICO HOFFMAN RAYCHEM SCHROFF TRACER**

© 2023 nVent. All nVent marks and logos are owned or licensed by nVent Services GmbH or its affiliates. All other trademarks are the property of their respective owners.

nVent reserves the right to change specifications without notice.