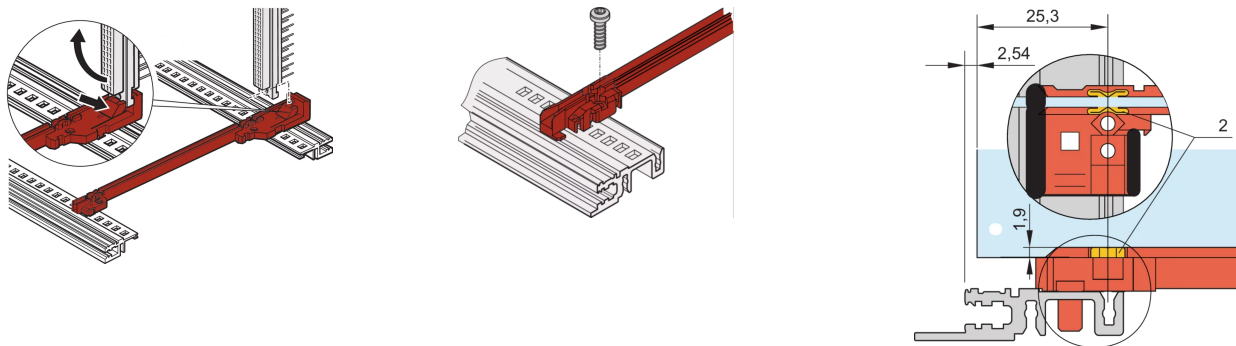


24560-277 GUIDE RAIL ACCESSORY TYPE, FOR DIN CONNECTOR MOUNTING, PLASTIC, 220 MM, 2 MM GROOVE WIDTH, GREY, 10 PIECES



KEY FEATURES

Plastic guide rail, accessory type

Guide rails can be clipped into horizontal rails (Al extrusion) or into 1.5-mm-thick plates

Storage temperature: from -40°C...-130°C

The optional ESD clip can be fitted into guide rails and ensures conductive contact between PCB and horizontal rail both on the solder side and on the component side

PRODUCT ATTRIBUTES

Product Type: Guide Rail

Type: Accessory with DIN Connector

Works With: Subracks; Cases; Chassis

Board Depth: 220 mm

Groove Width: 2

Material: Plastic

Color: Grey

Package Quantity: 10

Package Unit: Pair

ADDITIONAL PRODUCT DETAILS

The plastic guide rail for PCBs or plug-in units of the Accessory type, forms a reliable interface between the subrack mechanics and the sub- assemblies. The guide rails can additionally be bolted to the horizontal

Please take into consideration that deliveries may be carried out in the stated SPQs (SPQ, e.g. 5 pieces, 10 pieces, 50 pieces, etc.). Differing order quantities (e.g. 2 pieces) may be changed to the next possible delivery quantity = Standard Pack Quantity.

CERTIFICATIONS



North America

All locations
+1.763.422.2661
Chat with us:
schroff.nvent.com

Europe

Straubenhardt, Germany
+49.7082.794.0
Betschdorf, France
+33.3.88.90.64.90
Warsaw, Poland
+48.22.209.98.35
Assago, Italy
+39.02.932.7141
Chat with us:
schroff.nvent.com

Asia

Shanghai, China
+86.21.2412.6943
Qingdao, China
+86.532.8771.6101
Singapore
+65.6768.5800
Shin-Yokohama, Japan
+81.45.476.0271
Chat with us:
schroff.nvent.com

Middle East & India

Dubai, United Arab Emirates
+971.4.378.1700
Bangalore, India
+91.80.6715.2001
Istanbul, Turkey
+90.216.250.7374
Chat with us:
schroff.nvent.com



Our powerful portfolio of brands:
nVent.com **CADDY ERICO HOFFMAN RAYCHEM SCHROFF TRACER**

© 2023 nVent. All nVent marks and logos are owned or licensed by nVent Services GmbH or its affiliates. All other trademarks are the property of their respective owners.

nVent reserves the right to change specifications without notice.