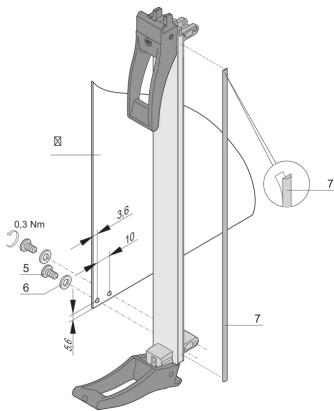
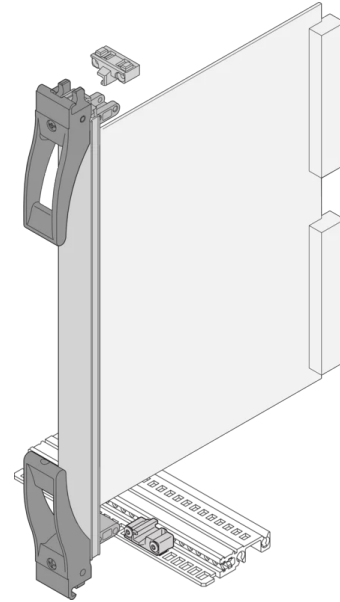
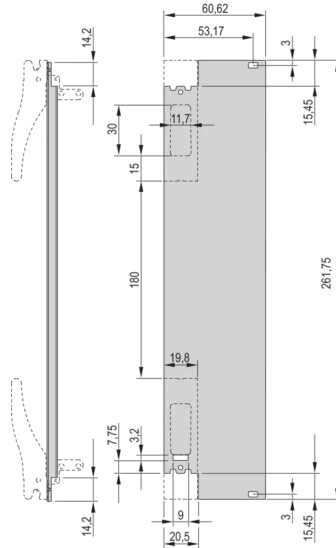


20848-771 PLUG-IN UNIT KIT WITH XL HANDLE, SHIELDED, BLACK, 6 U, 12 HP



KEY FEATURES

For applications which requires high insertion / extraction forces such as VPX or VXS standards

Additional board fixing options available

Handle requires additional die cast fixing block (combination with horizontal rail short / long lip)

U-shaped front panel for textile gasket

Suitable for insertion/extraction forces up to 1500-N (per pair)

IEC 60297-3-102, IEEE 1101.1, IEEE 1101.10

PRODUCT ATTRIBUTES

Product Type: Front Panel

Type: Front Panel with Handle (PIU)

Handle Type: XL

Mounting: Screw-on Front

EMC Shielding: Yes

EMC Gasket Type: Textile

Material: Aluminum

Front Finish: Anodized

Rear Finish: Etched

Treated Edges: No

Rack Height: 6 U

Height: 261.8 mm

Rack Width: 12 HP

Width: 60.6 mm

Complies With: IEC 60297-3-102; IEEE 1101.10; IEEE 1101.1

Package Quantity: 1

ADDITIONAL PRODUCT DETAILS

The XL handle is used for applications which requires high insertion / extraction forces such as VPX or VXS standards. Suitable for insertion and extractions forces up to 1500N (per pair).

Kit with front panel for micro switch on request.

CERTIFICATIONS



North America

All locations

+1.763.422.2661

Chat with us:

schroff.nvent.com

Europe

Straubenhardt, Germany

+49.7082.794.0

Betschdorf, France

+33.3.88.90.64.90

Warsaw, Poland

+48.22.209.98.35

Assago, Italy

+39.02.932.7141

Chat with us:

schroff.nvent.com

Asia

Shanghai, China

+86.21.2412.6943

Qingdao, China

+86.532.8771.6101

Singapore

+65.6768.5800

Shin-Yokohama, Japan

+81.45.476.0271

Chat with us:

schroff.nvent.com

Middle East & India

Dubai, United Arab Emirates

+971.4.378.1700

Bangalore, India

+91.80.6715.2001

Istanbul, Turkey

+90.216.250.7374

Chat with us:

schroff.nvent.com



Our powerful portfolio of brands:
nVent.com **CADDY ERICO HOFFMAN RAYCHEM SCHROFF TRACER**

© 2023 nVent. All nVent marks and logos are owned or licensed by nVent Services GmbH or its affiliates. All other trademarks are the property of their respective owners.

nVent reserves the right to change specifications without notice.