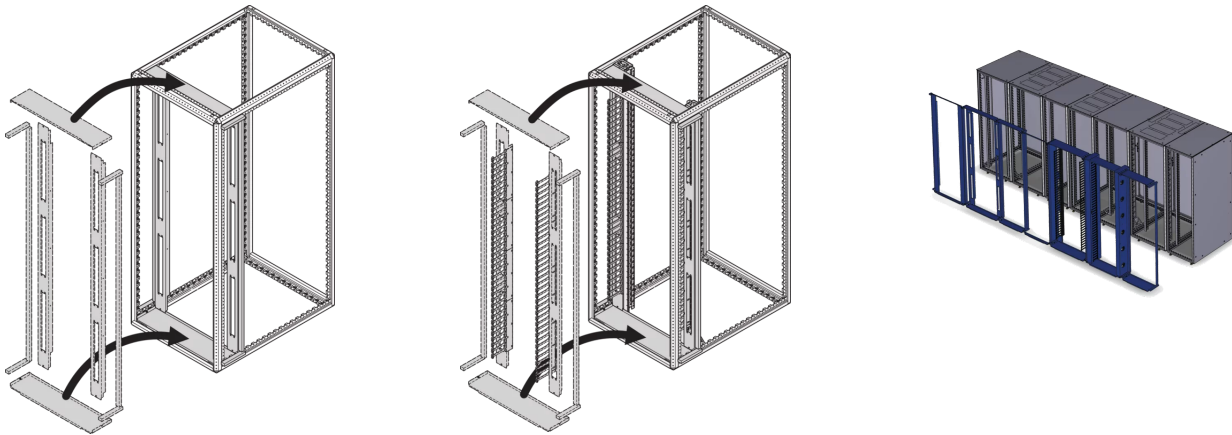


21130-636 AIR SEPARATION COVER, FRONT PANEL KIT, FOR 800 MM CABINET WIDTH, WITH CABLE FINGERS



KEY FEATURES

Cable routing, cable channels for 800 mm wide cabinets

Gaskets, UL 94 HF-1, -20 °C ... 100° C

Network and server cabinets can be arranged side by side

Covers for cable routing

Covers prevent unwanted air short-circuits, i.e. unwanted mixing of warm exhaust air with cold inbound air

PRODUCT ATTRIBUTES

Product Type: Cabinet/Rack Panel

Height: 2000 mm

ADDITIONAL PRODUCT DETAILS

Filler panel for 800 mm wide cabinets to avoid air recirculation in front to back cooled racks. Adjustable depth mounting supporting cabling space in front of the rack. Plain panles and panles with cut outs for front to back cabling. Brushes need to be ordered seperaty.



North America

All locations
+1.763.422.2661
Chat with us:
schroff.nvent.com

Europe

Straubenhardt, Germany
+49.7082.794.0
Betschdorf, France
+33.3.88.90.64.90
Warsaw, Poland
+48.22.209.98.35
Assago, Italy
+39.02.932.7141
Chat with us:
schroff.nvent.com

Asia

Shanghai, China
+86.21.2412.6943
Qingdao, China
+86.532.8771.6101
Singapore
+65.6768.5800
Shin-Yokohama, Japan
+81.45.476.0271
Chat with us:
schroff.nvent.com

Middle East & India

Dubai, United Arab Emirates
+971.4.378.1700
Bangalore, India
+91.80.6715.2001
Istanbul, Turkey
+90.216.250.7374
Chat with us:
schroff.nvent.com



Our powerful portfolio of brands:
nVent.com **CADDY ERICO HOFFMAN RAYCHEM SCHROFF TRACER**