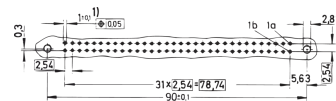
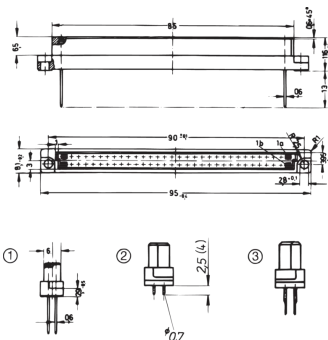
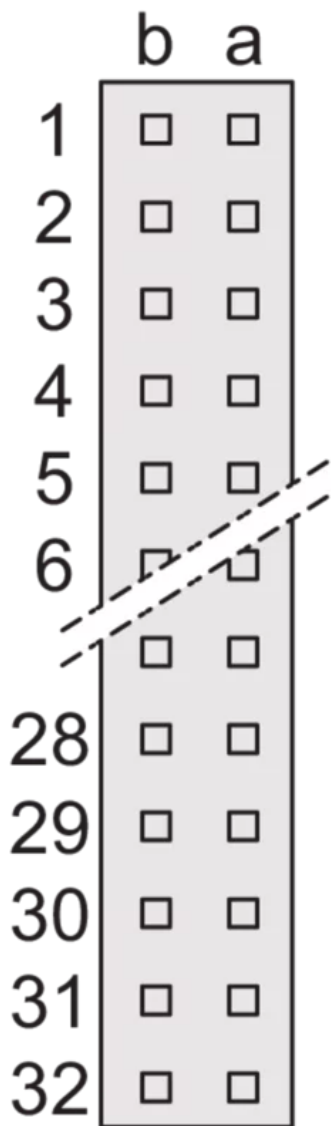


69001-664 CONNECTOR TYPE B, EN 60603, DIN 41612, FEMALE, 64 CONTACTS, SOLDER PINS, 2.5 MM



**KEY FEATURES**

Requirement class 2 as per EN 60603 (DIN 41642)

Separate coding

## PRODUCT ATTRIBUTES

---

Product Type: Connector

Type: Female Connectors

Works With: Front Panels

Number of Contacts: 64

Contact Material: Gold Plated

Connector Pitch: 2.54 mm

Min Creepage Distance, Contact-Contact: 1.2 mm

Min Air Gap, Contact-Contact: 1.2 mm

Max Current @ 20°C: 2 A

Max Contact Resistance: 20 mΩ

Max Insertion and Withdrawal Force: 60 N

Test Voltage (Ueff), Contact-Contact: 1 kV

Test Voltage (Ueff), Contact-Earth: 1.55 kV

## ADDITIONAL PRODUCT DETAILS

---

Male / Female DIN connector form B. Requirement class 2 as per EN 60603 (DIN 41642).

## CERTIFICATIONS

---

The logo for EAC (Eurasian Conformity) consists of the letters 'EAC' in a bold, black, sans-serif font.

### North America

All locations

+1.763.422.2661

Chat with us:

[schroff.nvent.com](https://schroff.nvent.com)

### Europe

Straubenhardt, Germany

+49.7082.794.0

Betschdorf, France

+33.3.88.90.64.90

Warsaw, Poland

+48.22.209.98.35

Assago, Italy

+39.02.932.7141

Chat with us:

[schroff.nvent.com](https://schroff.nvent.com)

### Asia

Shanghai, China

+86.21.2412.6943

Qingdao, China

+86.532.8771.6101

Singapore

+65.6768.5800

Shin-Yokohama, Japan

+81.45.476.0271

Chat with us:

[schroff.nvent.com](https://schroff.nvent.com)

### Middle East & India

Dubai, United Arab Emirates

+971.4.378.1700

Bangalore, India

+91.80.6715.2001

Istanbul, Turkey

+90.216.250.7374

Chat with us:

[schroff.nvent.com](https://schroff.nvent.com)



Our powerful portfolio of brands:  
[nVent.com](https://nVent.com) **CADDY ERICO HOFFMAN RAYCHEM SCHROFF TRACER**

© 2023 nVent. All nVent marks and logos are owned or licensed by nVent Services GmbH or its affiliates. All other trademarks are the property of their respective owners.

nVent reserves the right to change specifications without notice.