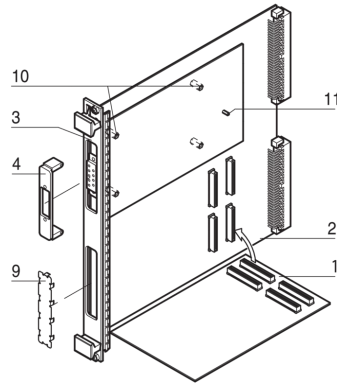


60827-026 PMC MEZZANINE BOARD VOLTAGE KEYING/CODING PIN



KEY FEATURES

To prevent accidental damage when fitting mezzanine boards, keying/coding pins are bolted to the VMEbus boards to distinguish between 3.3-V and 5-V operation. The mezzanine boards have a hole drilled in the appropriate position. The keying/coding pin thus ensures that only mezzanine boards with the same operating voltage can be inserted. For double-height euroboards 2 pieces are required.

Voltage keying/coding pin for PMC mezzanine boards

PRODUCT ATTRIBUTES

Product Type: Coding/Keying Indicator

Product Family: EuropacPRO; RatiopacPRO; CompacPRO; PropacPRO; Inpac

Type: Coding Peg

Works With: Subracks; Cases; CompactPCI Systems; CompactPCI Serial Systems; PXI

Thread Type: Metric

Material: Stainless Steel

Package Quantity: 1

Depth: 13.5 mm

Height: 5 mm

Length: 13.5 mm

Width: 5 mm

ADDITIONAL PRODUCT DETAILS

Voltage keying/coding pin for PMC mezzanine boards.

Please take into consideration that deliveries may be carried out in the stated SPQs (SPQ, e.g. 5 pieces, 10 pieces, 50 pieces, etc.). Differing order quantities (e.g. 2 pieces) may be changed to the next possible delivery quantity = Standard Pack Quantity.

CERTIFICATIONS



North America

All locations
+1.763.422.2661
Chat with us:
schroff.nvent.com

Europe

Straubenhardt, Germany
+49.7082.794.0
Betschdorf, France
+33.3.88.90.64.90
Warsaw, Poland
+48.22.209.98.35
Assago, Italy
+39.02.932.7141
Chat with us:
schroff.nvent.com

Asia

Shanghai, China
+86.21.2412.6943
Qingdao, China
+86.532.8771.6101
Singapore
+65.6768.5800
Shin-Yokohama, Japan
+81.45.476.0271
Chat with us:
schroff.nvent.com

Middle East & India

Dubai, United Arab Emirates
+971.4.378.1700
Bangalore, India
+91.80.6715.2001
Istanbul, Turkey
+90.216.250.7374
Chat with us:
schroff.nvent.com



Our powerful portfolio of brands:
nVent.com **CADDY ERICO HOFFMAN RAYCHEM SCHROFF TRACER**

© 2023 nVent. All nVent marks and logos are owned or licensed by nVent Services GmbH or its affiliates. All other trademarks are the property of their respective owners.

nVent reserves the right to change specifications without notice.