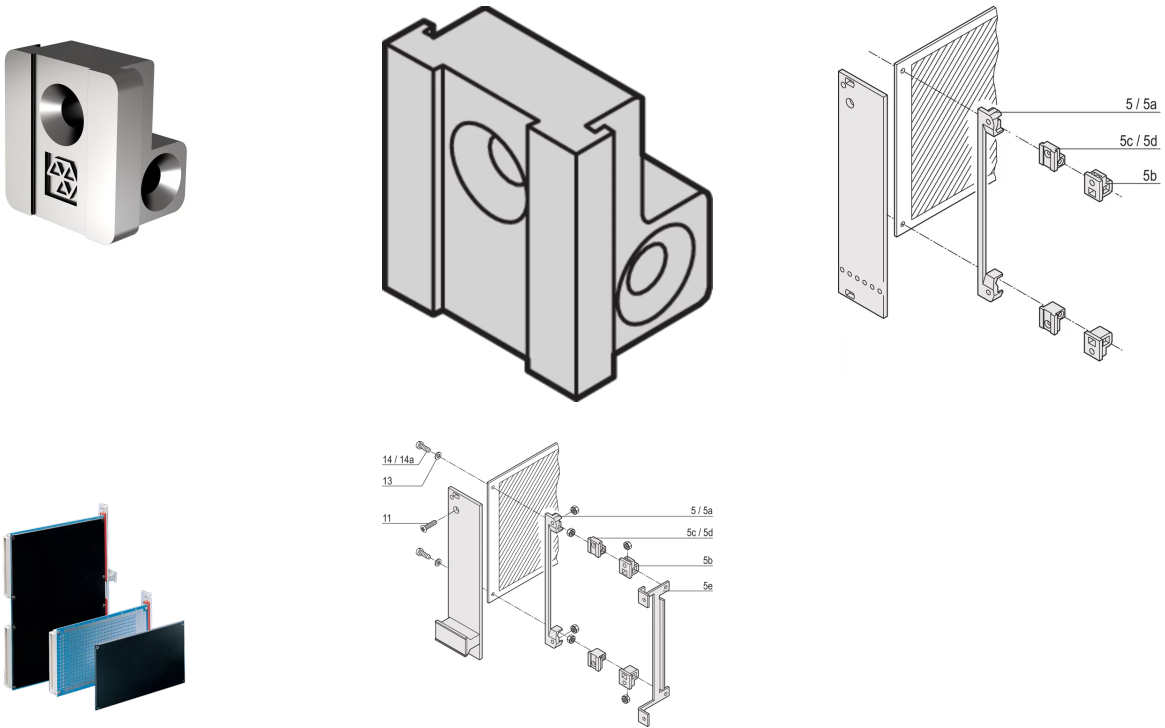


60807-181 PCB BRACKET FOR FIXING FRONT PANEL/PCB, DIE-CAST ZINC



KEY FEATURES

For fixing PCB to front panel

PRODUCT ATTRIBUTES

Product Type: Bracket

Type: PCB Bracket

Works With: Front Panels

Material: Die-Cast Zinc

Height: 11.1 mm

Width: 10.2 mm

Depth: 8.6 mm

Package Quantity: 1

Thread Size: M2.5

Thread Type: Metric

ADDITIONAL PRODUCT DETAILS

The PCB support brackets enable the fixing of a PCB to front panel. Available in different materials.

Delivery is in standard pack multiples. Pricing is per individual item.

CERTIFICATIONS



North America

All locations

+1.763.422.2661

Chat with us:

schroff.nvent.com

Europe

Straubenhardt, Germany

+49.7082.794.0

Betschdorf, France

+33.3.88.90.64.90

Warsaw, Poland

+48.22.209.98.35

Assago, Italy

+39.02.932.7141

Chat with us:

schroff.nvent.com

Asia

Shanghai, China

+86.21.2412.6943

Qingdao, China

+86.532.8771.6101

Singapore

+65.6768.5800

Shin-Yokohama, Japan

+81.45.476.0271

Chat with us:

schroff.nvent.com

Middle East & India

Dubai, United Arab Emirates

+971.4.378.1700

Bangalore, India

+91.80.6715.2001

Istanbul, Turkey

+90.216.250.7374

Chat with us:

schroff.nvent.com



Our powerful portfolio of brands:
nVent.com **CADDY ERICO HOFFMAN RAYCHEM SCHROFF TRACER**

© 2023 nVent. All nVent marks and logos are owned or licensed by nVent Services GmbH or its affiliates. All other trademarks are the property of their respective owners.

nVent reserves the right to change specifications without notice.