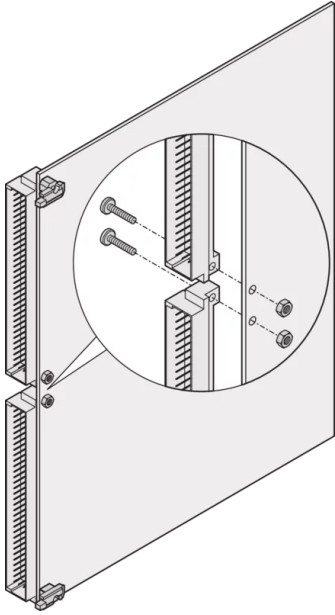




**SCHROFF**

## 24812-600 FRAME TYPE PLUG-IN UNIT CONNECTOR TO PCB MOUNTING KIT, CENTER



### KEY FEATURES

---

Connector mounting kit onto PCB, for mounting of DIN connectors in the center of 6 U PCBs

### PRODUCT ATTRIBUTES

---

Product Type: Mounting Kit

Works With: Cassettes

Rack Height: 6 U

Package Quantity: 10

### ADDITIONAL PRODUCT DETAILS

---

Connector mounting kit onto PCB, for mounting of DIN connectors in the center of 6 U PCBs.



**North America**

All locations  
+1.763.422.2661  
Chat with us:  
[schroff.nvent.com](https://schroff.nvent.com)

**Europe**

Straubenhardt, Germany  
+49.7082.794.0  
Betschdorf, France  
+33.3.88.90.64.90  
Warsaw, Poland  
+48.22.209.98.35  
Assago, Italy  
+39.02.932.7141  
Chat with us:  
[schroff.nvent.com](https://schroff.nvent.com)

**Asia**

Shanghai, China  
+86.21.2412.6943  
Qingdao, China  
+86.532.8771.6101  
Singapore  
+65.6768.5800  
Shin-Yokohama, Japan  
+81.45.476.0271  
Chat with us:  
[schroff.nvent.com](https://schroff.nvent.com)

**Middle East & India**

Dubai, United Arab Emirates  
+971.4.378.1700  
Bangalore, India  
+91.80.6715.2001  
Istanbul, Turkey  
+90.216.250.7374  
Chat with us:  
[schroff.nvent.com](https://schroff.nvent.com)



Our powerful portfolio of brands:  
[nVent.com](https://nVent.com) **CADDY ERICO HOFFMAN RAYCHEM SCHROFF TRACER**