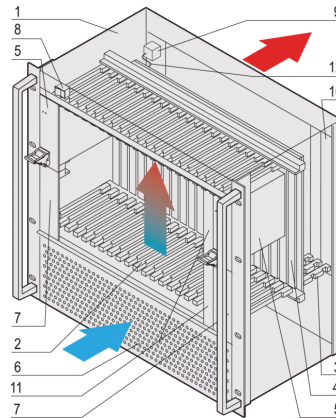


24579-028 CPCI SYSTEM WITH PSB, 10 U, 14 SLOT



KEY FEATURES

System in accordance with IEC-60297-3-101, -102, -103; IEEE-1101.1, 1101.10/11); Backplane, conforms to PICMG-2.16

System with vertical card cage. Board format Front: 6-U, 160-mm deep; Rear I/O: 6-U, 80-mm deep

Backplane, PSB-(package switched backplane), PICMG-2.16 16-slot, 6-U, 64 bit (2-fabric/switch slots, 14-node slots)

Heat dissipation by fan module, from front to rear

Two 19" CompactPCI power supplies, 250-W (3-U, 8-HP), prepared-for installation of two additional 19" compatible PSUs

Prepared for system monitoring with a chassis monitoring module-(CMM)

PRODUCT ATTRIBUTES

Product Type: System

Number of Slots: 16

Type: 19" Rack Mount

Backplane Type: 6 U CompactPCI with PSB

Data Transfer: 64-bit PCI Bus; GbE

Power per Slot: 40 W

Input Voltage AC: 100 – 240 V

Airflow Direction: Front to Rear

Rack Height: 10 U

Power Supply Type: (2) Pluggable AC PSU

Power Supply Included: Yes

Rear I/O: Yes

Complies With: PICMG 2.0 R3.0

Depth: 275 mm

Height: 443.7 mm

ADDITIONAL PRODUCT DETAILS

10 U CompactPCI System with PSB for fourteen 6 U Boards, fourteen RTM Boards and up to four 3U pluggable Power Supplies.

Modified systems available on request.

CERTIFICATIONS



North America

All locations
+1.763.422.2661
Chat with us:
schroff.nvent.com

Europe

Straubenhardt, Germany
+49.7082.794.0
Betschdorf, France
+33.3.88.90.64.90
Warsaw, Poland
+48.22.209.98.35
Assago, Italy
+39.02.932.7141
Chat with us:
schroff.nvent.com

Asia

Shanghai, China
+86.21.2412.6943
Qingdao, China
+86.532.8771.6101
Singapore
+65.6768.5800
Shin-Yokohama, Japan
+81.45.476.0271
Chat with us:
schroff.nvent.com

Middle East & India

Dubai, United Arab Emirates
+971.4.378.1700
Bangalore, India
+91.80.6715.2001
Istanbul, Turkey
+90.216.250.7374
Chat with us:
schroff.nvent.com



Our powerful portfolio of brands:
nVent.com **CADDY ERICO HOFFMAN RAYCHEM SCHROFF TRACER**

© 2023 nVent. All nVent marks and logos are owned or licensed by nVent Services GmbH or its affiliates. All other trademarks are the property of their respective owners.

nVent reserves the right to change specifications without notice.