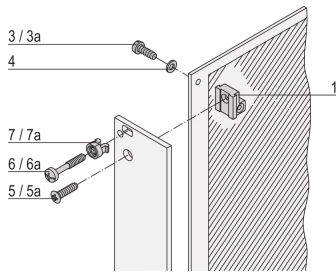
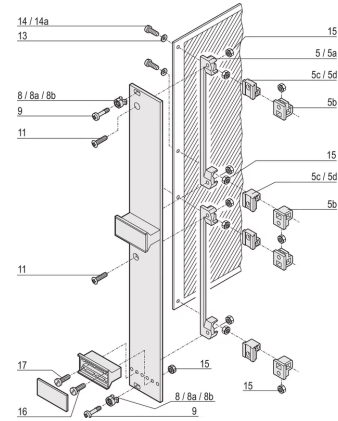
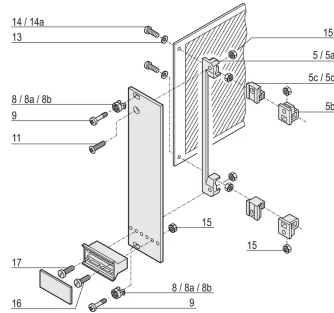
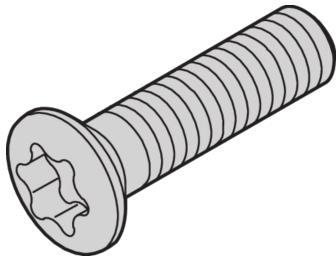


24560-164 COUNTERSUNK SCREW, RAISED, TORX M2.5 X 8 MM, NICKEL PLATED; 100 PIECES



KEY FEATURES

Countersunk screw

PRODUCT ATTRIBUTES

Product Type: Screw

Type: Countersunk Screw

Works With: Front Panels

Package Quantity: 100

Thread Size: M2.5

Length: 8 mm

Material: Steel

Finish: Nickel Plated

Height: 4.7 mm

Thread Type: Metric

Width: 4.7 mm

ADDITIONAL PRODUCT DETAILS

Countersunk screws are used for numerous mounting options in a subrack or desktop case.

CERTIFICATIONS



North America

All locations
+1.763.422.2661
Chat with us:
schroff.nvent.com

Europe

Straubenhardt, Germany
+49.7082.794.0
Betschdorf, France
+33.3.88.90.64.90
Warsaw, Poland
+48.22.209.98.35
Assago, Italy
+39.02.932.7141
Chat with us:
schroff.nvent.com

Asia

Shanghai, China
+86.21.2412.6943
Qingdao, China
+86.532.8771.6101
Singapore
+65.6768.5800
Shin-Yokohama, Japan
+81.45.476.0271
Chat with us:
schroff.nvent.com

Middle East & India

Dubai, United Arab Emirates
+971.4.378.1700
Bangalore, India
+91.80.6715.2001
Istanbul, Turkey
+90.216.250.7374
Chat with us:
schroff.nvent.com



Our powerful portfolio of brands:
nVent.com **CADDY ERICO HOFFMAN RAYCHEM SCHROFF TRACER**

© 2023 nVent. All nVent marks and logos are owned or licensed by nVent Services GmbH or its affiliates. All other trademarks are the property of their respective owners.

nVent reserves the right to change specifications without notice.