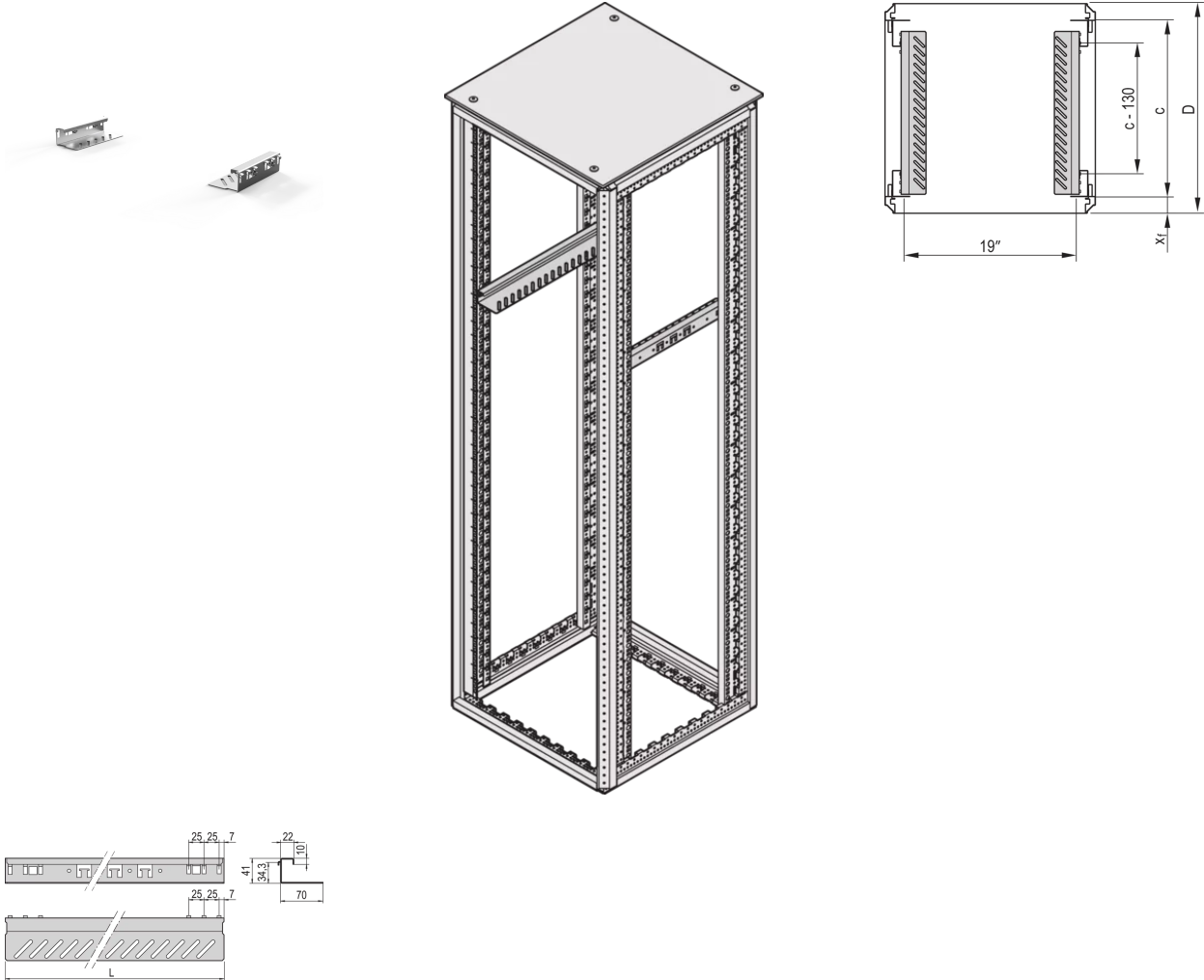




SCHROFF

23130-099 VARISTAR SLIDE RAIL, 25 KG, 1 PAIRS, 300D



KEY FEATURES

Mounts on four 19" slide mounts

Wide support surface (48 mm)

Can be fitted in 1 U increments (attach and screw into place)

PRODUCT ATTRIBUTES

Product Type: Slide Rail

Product Family: Varistar

Works With: Varistar CP

Material: Steel

Finish: Aluminum-Zinc Plated

Package Unit: Pair

ADDITIONAL PRODUCT DETAILS

Mounts on four 19" slide mounts with 25/100 kg weight capacity.

For mounting in the cabinet the 19" panel/slide mounts must be fitted front and rear.

North America

All locations

+1.763.422.2661

Chat with us:

schroff.nvent.com

Europe

Straubenhardt, Germany

+49.7082.794.0

Betschdorf, France

+33.3.88.90.64.90

Warsaw, Poland

+48.22.209.98.35

Assago, Italy

+39.02.932.7141

Chat with us:

schroff.nvent.com

Asia

Shanghai, China

+86.21.2412.6943

Qingdao, China

+86.532.8771.6101

Singapore

+65.6768.5800

Shin-Yokohama, Japan

+81.45.476.0271

Chat with us:

schroff.nvent.com

Middle East & India

Dubai, United Arab Emirates

+971.4.378.1700

Bangalore, India

+91.80.6715.2001

Istanbul, Turkey

+90.216.250.7374

Chat with us:

schroff.nvent.com



Our powerful portfolio of brands:
nVent.com CADDY ERICO HOFFMAN RAYCHEM SCHROFF TRACER

© 2023 nVent. All nVent marks and logos are owned or licensed by nVent Services GmbH or its affiliates. All other trademarks are the property of their respective owners.

nVent reserves the right to change specifications without notice.