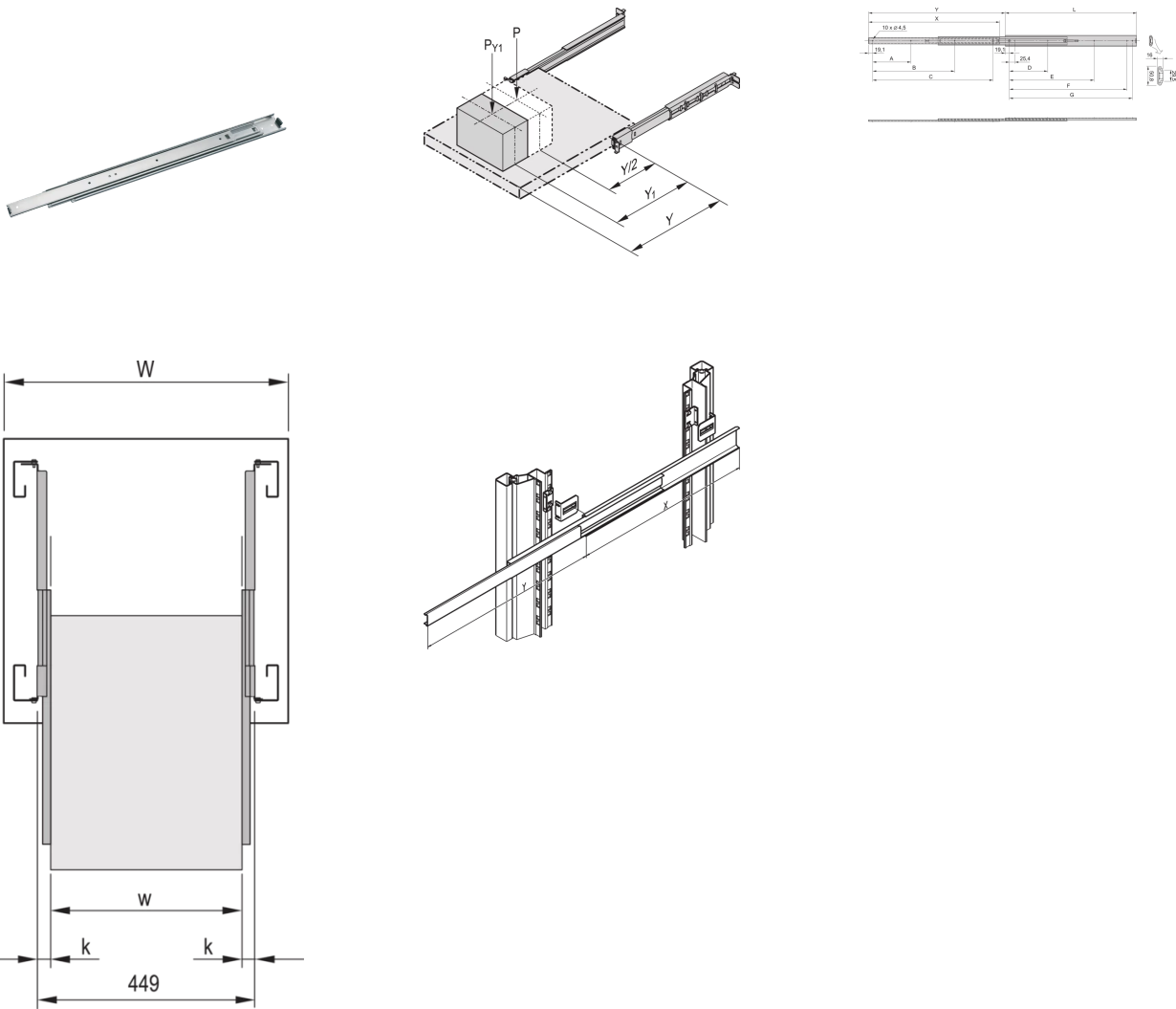


20110-100 TELESCOPIC SLIDE UNIVERSAL, 2 U, 2 U 305L



KEY FEATURES

Rail width $k = 16$ mm, max. installation width of extension/drawer $w = 417$ mm

Lateral mounting on the 19" uprights (19" plane remains free for fixing of the extension/drawer)

Locking at full extension

Extension length $\rightarrow 100\%$

Static load-carrying capacity per pair 46-- 61 kg

PRODUCT ATTRIBUTES

Product Type: Telescopic Slide

Type: Universal

Length: 305 mm

Static Load: 61 kg

ADDITIONAL PRODUCT DETAILS

Universal Telescopic Slide with > 100 % extension and up to 61 kg load capacity.

To mount on 19" plane please order assembly kit separately. Universal telescopic Rails can also be fitted without additional components in non-standard applications, thus also in other than 19" cabinets.

CERTIFICATIONS



North America

All locations

+1.763.422.2661

Chat with us:

schroff.nvent.com

Europe

Straubenhardt, Germany

+49.7082.794.0

Betschdorf, France

+33.3.88.90.64.90

Warsaw, Poland

+48.22.209.98.35

Assago, Italy

+39.02.932.7141

Chat with us:

schroff.nvent.com

Asia

Shanghai, China

+86.21.2412.6943

Qingdao, China

+86.532.8771.6101

Singapore

+65.6768.5800

Shin-Yokohama, Japan

+81.45.476.0271

Chat with us:

schroff.nvent.com

Middle East & India

Dubai, United Arab Emirates

+971.4.378.1700

Bangalore, India

+91.80.6715.2001

Istanbul, Turkey

+90.216.250.7374

Chat with us:

schroff.nvent.com



Our powerful portfolio of brands:
nVent.com **CADDY ERICO HOFFMAN RAYCHEM SCHROFF TRACER**

© 2023 nVent. All nVent marks and logos are owned or licensed by nVent Services GmbH or its affiliates. All other trademarks are the property of their respective owners.

nVent reserves the right to change specifications without notice.