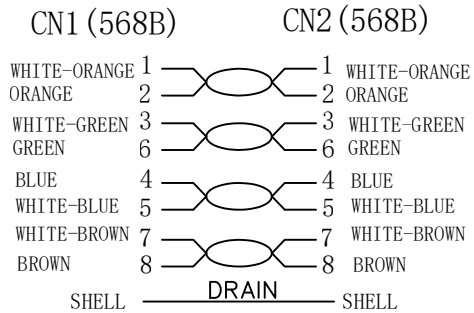
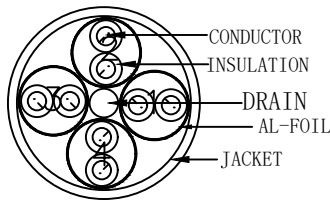


PIN OUT



NOTE:

1. ELECTRICAL TEST:100% OPEN SHORT, MISS WIRE TEST
2. FLUKE Channel TEST:
TEST LIMIT:ISO11801 Channel Class EA
3. Working temperature:-20°C~+75°C
Storage temperature:-20°C~+80°C
4. RoHS AND REACH compliant
5. Spray WORD:CAT6A U/FTP 4x2x32AWG/7 RECYCLED TPE ISO11801 & EN50173 & ANSI/TIA568.2-D
6. Minimum of the bending radius is 4*OD (Suitable for all meters)

MATERIAL LIST:

③	OVER MOLD	RECYCLED PVC RED PANTONE 199C	2	
②	PLUG	RJ45 8P8C SHIELDED PLUG, PIN GOLD PLATED 3U", THE SHELL PLATED NICKEL, COLOUR:TRANSPARENT GREEN	2	
①	CABLE	CAT. 6A U/FTP CABLE (32AWG BC+RECYCLED INSULATION*1P+AL-FOIL)*4+DRAIN JACKET:RECYCLED TPE RED PANTONE 199C OD:3.8±0.2MM	1	
NO.	PARTS NAME	SPECIFICATION DESCRIPTION	QT'Y	REMARK
		NEW	2023-11-30	A
BY	CHK	REVISION RECORD MODIFICATIONS	DATE	REV.

21.45.3317	ROLINE RECYCLED U/FTP PatchCord Cat6A/C1.EA, SLIM, red, 5m	5000±100	61.60%
21.45.3316	ROLINE RECYCLED U/FTP PatchCord Cat6A/C1.EA, SLIM, red, 3m	3000±50	60.70%
21.45.3315	ROLINE RECYCLED U/FTP PatchCord Cat6A/C1.EA, SLIM, red, 2m	2000±30	59.70%
21.45.3314	ROLINE RECYCLED U/FTP PatchCord Cat6A/C1.EA, SLIM, red, 1.5m	1500±30	58.80%
21.45.3313	ROLINE RECYCLED U/FTP PatchCord Cat6A/C1.EA, SLIM, red, 1m	1000±20	57.40%
21.45.3312	ROLINE RECYCLED U/FTP PatchCord Cat6A/C1.EA, SLIM, red, 0.5m	500±20	54.70%
21.45.3311	ROLINE RECYCLED U/FTP PatchCord Cat6A/C1.EA, SLIM, red, 0.3m	300±10	52.80%
21.45.3310	ROLINE RECYCLED U/FTP PatchCord Cat6A/C1.EA, SLIM, red, 0.15m	150±10	50.70%
ITEM NO.	DESC.	LENGTH (mm)	The proportion of RECYCLED certification materials

