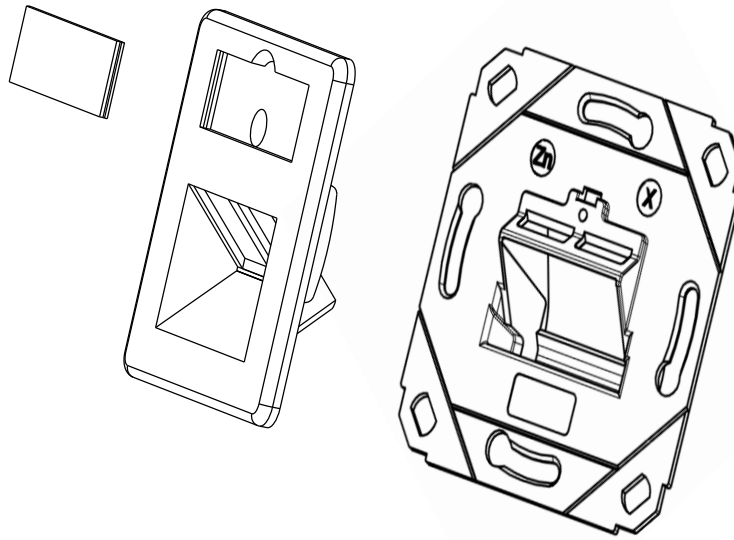



Technical Datasheet

Designable Data Outlet SL with cover plate, for 2 Keystones

Article No. : CKVD1D1

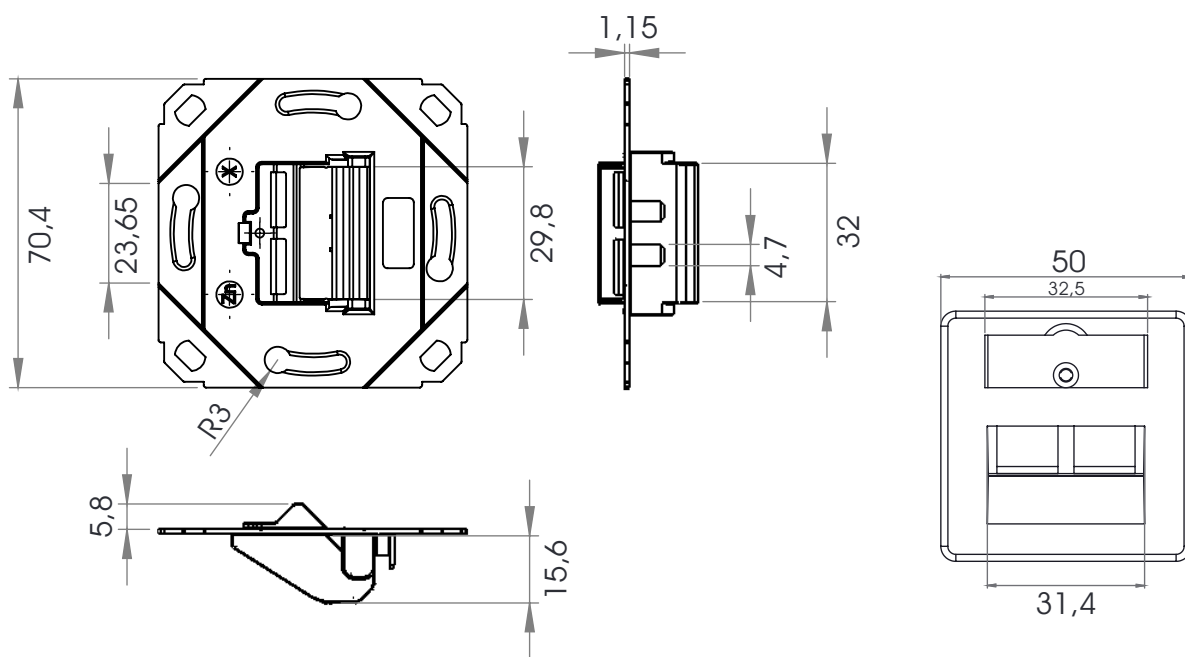


e d c b a	Change Change Change Change Created	12.12.2023 09.12.2020 21.07.2015 21.01.2015 02.12.2014	TG MJ MJ MJ MJ	drawn	21.01.2015	MJ	 EasyLan[®] ...for a better connectivity	
				appr.	26.01.2015	GF		
				Titel: Designable Data Outlet SL for 2 Keystones with cover plate 50x50mm				Dimensions: mm
				Drawing Number: ZN-BL151006				Original: DIN A4 Sheet 1 of 2
Rev. Index	Revision code	Date	Name					

Technical Data

Materials	
frame	zinc diecast
screw	M2,5x5 mm / M2,5x8 mm steel
centralplate	PC white (similar to RAL9010)
Possible Modules (ZVK)	
preLink® SL Keystone Cat.6 _A ISO	Art.No. CKPAS011 / CKPAS021
preLink® SL Keystone Cat.6A EIA	Art.No. CKPES011 / CKPES021
preLink® SL Keystone Cat.6 _A ISO angeled	Art.No. CKWAS011 / CKWAS021
preLink® SL Keystone Cat.6A EIA angeled	Art.No. CKWES011 / CKWES021
fixLink® SL Keystone Cat.6 _A ISO	Art.No. CKFAK001 / CKFAKFL1
fixLink® SL Keystone Cat.6 _A ISO angeled	Art.No. CKWAK007 / CKWAKFL7
basicLink® Keystone Class EA	Art.No. CKFEK001
Possible Central Plates	
All UAE-covers from the typical switch range manufacturer UAE-covers inclusive part numbers of the manufacturer are proved, you can find seperately as an product information.	

Drawing



All rights reserved ZVK GmbH D-94244 Teisnach Technologicampus 2 Germany Phone: +49 9923 804379-0 Fax: +49 9923 804379-50 www.zvk-gmbh.de all data without guarantee

e d c b a	Change Change Change Change Created	12.12.2023 09.12.2020 21.07.2015 21.01.2015 02.12.2014	TG MJ MJ MJ MJ	drawn	21.01.2015	MJ
				appr.	26.01.2015	GF
				Titel: Designable Data Outlet SL for 2 Keystones with cover plate 50x50mm		
				Drawing Number: ZN-BL151006		



Dimensions: mm

Original: DIN A4

Sheet 2 of 2