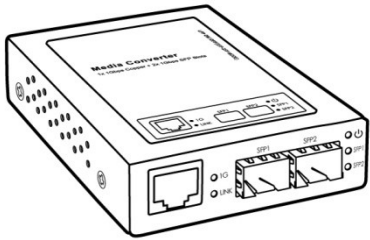


ROLINE Gigabit Converter, RJ45-Mini GBIC

21.13.1074

Quick Installation Guide



Technical Specifications

Standards	IEEE 802.3 10BaseT IEEE 802.3u 100BaseTX IEEE 802.3ab 1000BaseT IEEE 802.3z 1000BaseSX/LX IEEE 802.3x Flow Control
Features	Number of Ports: 1x10/100/1000BaseT(X) TP port 2x1000BaseSX/LX SFP open slots
Data Transfer Rate	20/200/2000Mbps/Full-Duplex
Transmission Media	TP: 10/100/1000BaseT(X) Cat. 5, 5E, 6 UTP/STP, up to 100m 1000BaseSX: 50/125µm Multi Mode Fiber optic cable, up to 220m 62.5/125µm Multi Mode Fiber optic cable, up to 550m 1000BaseLX: 9/125µm Single Mode Fiber optic cable

Introduction

This Gigabit Ethernet Media Converter is able to bridge a 10/100/1000BaseT(X) signal to a 1000BaseSX/LX signal. It extends the distance between two Gigabit Ethernet twisted-pair devices via a fiber cable transparently with no performance degradation.

This Media Converter is based on a switching hub design. It supports Auto-Negotiation and Flow Control on the twisted-pair port. There are two SFP slots for multi-mode or single-mode SFP modules.

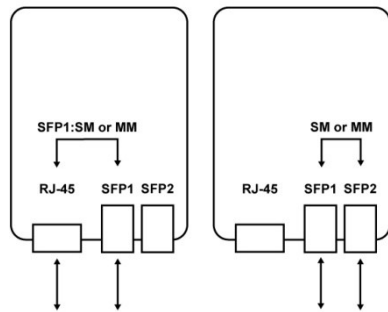
Key Features

Compliant with IEEE 802.3 10BaseT, IEEE 802.3u 100BaseTX, IEEE 802.3ab 1000BaseT and IEEE 802.3z 1000BaseSX/LX

- 1x 10/100/1000BaseT(X) Ethernet TP Port and 2x 1000BaseSX/LX Gigabit Ethernet Fiber Port
- 2x 1000BaseSX/LX Fiber Port can support either Multi or Single Mode
- TP Port can support Half/Full-Duplex, Auto-MDI/MDI-X and Auto-Negotiation

19" Converter Chassis for up to 16 slots with redundant power supply for optional expansion use.

Application



Two Operating Modes:

- RJ-45 to SFP
- SFP to SFP
- SFP can be SM or MM

Installation

DC Input & External Power Adapter
External Power Adapter specification:
The device DC Input is +5VDC 2A.

The TP Port

The device TP port supports Auto-MDIX, Auto-Negotiation and Flow Control. It can work in the 10BaseT, 100BaseTX or 1000SX/LX environment and the cable length is up to 100 meters for Cat5, Cat5e or Cat6 shielded/unshielded twisted-pair cable.

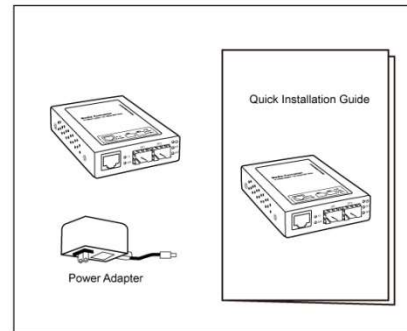
2 x SFP slots

There are two SFP slots for SFP modules. Both multi-mode and single-mode are supported.

Package Contents

Before you start to install this coverter, please verify if your package contains the following items:

- One Media Converter
- One Power Adapter
- One Quick Installation Guide



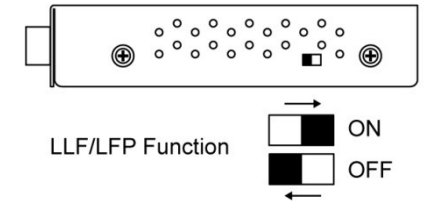
Note: If any of these items is missing or damaged, please contact your local supplier for replacement.

LEDs

LED Indicators of Media Converter

LED	Status	Operation
Power (Amber)	On	Power is on
Copper 1G (Green)	On/Off	1Gbps/ Under 1Gbps
Copper Link/Act. (Green)	On/Flashing	Link/Transmitting
SFP1 Link/Act. (Green)	On/Flashing	Link/Transmitting
SFP2 Link/Act. (Green)	On/Flashing	Link/Transmitting

LLF/LFP Function



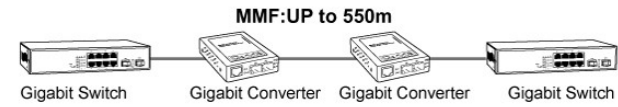
Link Loss Forwarding (LLF) / Link Fault Pass Through (LFP) is a function to pass the message if the optical fiber link fails. With the optical fiber link fault pass through, system administrators are able to notice the link failure within a short period of time, minimizing the loss caused by this problem.

Notice: SFP to SFP mode does not support LFP function, and the DIP switch must be turned off.

LED Indicators	Per Port: (TX): Link, TX (FX): Link, RX Per Unit: Power
Power Requirement	5-12Vdc, DC Jack (Φ2.5mm)
Power Consumption	3 Watts (Max)
Dimensions	74 x 22 x 102mm (W x H x D)
Weight	201g
Operating Temperature	0 to 50°C
Storage Temperature	-20 to 80°C
Humidity	Max. 90% RH (Non-condensing)

Connections

Multi-Mode Fiber (MMF) application



Single-Mode Fiber application

