

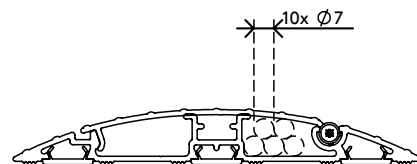
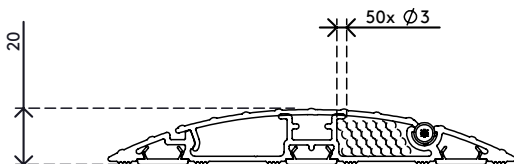
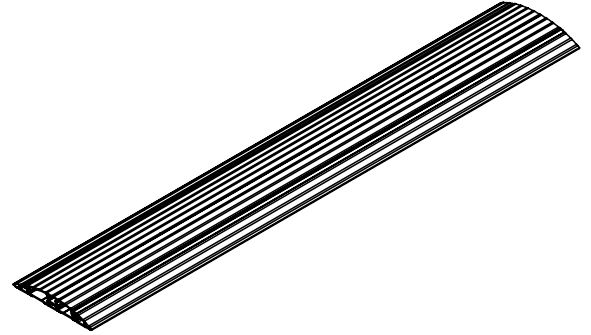
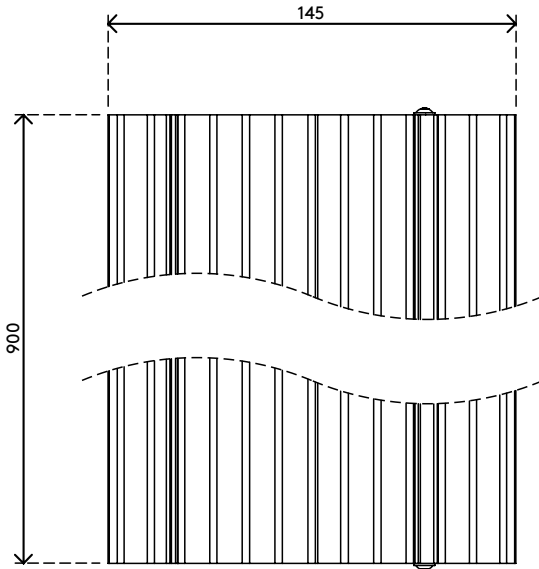
31.412

## Addit cable protector 90 cm - straight 412

This Addit cable protector makes it easy to safely get cables across to where you need them to be. The sturdy aluminium construction with ridged top protects both people and cables by keeping them out of each other's way, while the hinged cover makes it easy to place, remove or switch out any cable in a matter of seconds. Also available in the following lengths: 60 cm, 118 cm, 150 cm and 180 cm.

Are you looking for something specific? We can customise the length of the cable protector to your needs. Contact us for more information. Are you looking for something specific? We can customise the length of the cable protector to your needs. Contact us for more information.

- Made from 80% recycled aluminium
- Ridged top ensures safe slip resistant surface
- Able to carry loads of up to 500 Kg's
- Suitable for 10 cables of 7 mm (0,3") thickness
- Hinged cover provides easy top access to cable ducts
- Underside ridges and friction strips provide grip on all floor types
- Fully recyclable aluminium assembly
- Dimensions (w x d x h): 145 x 900 x 20 mm (5,7 x 35,4 x 0,8")



Addit cable protector 90 cm - straight 412

2024/12/24


# 31.412

 935 x 180 x 45 mm

 1 pcs

 silver

 1,3 kg

 805410314125