

RN3223 Product Datasheet

UPDU[®] Module/Outlet Metered

1x16A 18C13 6C19 black

Revision: 3, Edition: 1

Date: 2025-03-31

Doc gen: v1.1-529bf3e8

Product features

Modularity	Yes, fully modular design, all modules assembled from the front and easily replaceable
Metering	Voltage (V), Current (A), Active Power (W), Apparent Power (VA), Reactive Power (var), Active energy (kWh), Reactive energy (kvarh, capacitive and inductive), Frequency (Hz), Power Factor
Metering accuracy	Billing-grade accuracy (<0.5%), compliant with, but not certified MID (Measuring Instruments Directive) 2014/32/EU, EN50470-1 (general requirements, test and conditions) and EN50470-3, Class C (static meters for active energy, class C (0.5% precision))
Measurement values per inlet	Yes
Measurement values per branch	Yes
Measurement values per module	Yes
Measurement values per outlet	With additional license
Load curves storage	High resolution load curves (one sample/second) for 2+ hours. Load curves stored in non-volatile memory for 60+ days (1 minute interval)
Outlet switching	No
Environmental sensor interfaces	3x AUX ports for external sensors (temperature, humidity and differential pressure sensor, other sensors on request)
Alarms	Free setting of 4 thresholds on: - single outlets, modules, branches or phases - current, voltage, etc. temperature and humidity
Display	Large auto-orienting 2.4" graphic full-color TFT display
Network Interfaces	2x Gigabit Ethernet ports with - Power over Ethernet (PSE and PD) and - internal Gigabit switch for cascading an unlimited number of UPDUs 1x 100Mbit Ethernet port

Remote management / protocols	Console (serial), Telnet, DHCP, SNMP v2/v3, NTP, HTTP, HTTPS, IPv4/v6, RSTP, REST API, SSH, Syslog, Modbus TCP/TLS, LDAP, Radius, TACACS+
USB	2x high-speed USB Ports (type A)
Quick select button	Yes, on each Power Outlet Module

Input specification

Power rating	3.7kVA
Rated inlet voltage	100-240V~
Rated inlet current	1x16A
Rated frequency	50-60Hz
Inlet connection	1LNPE
Inlet cable and plug	3.0m cable, Connector CEE16/3 6h
Inlet cable entry	Front side

Output specification

Rated output voltage	100-240V~
Maximum current per outlet	10A (C13) / 16A (C19)
Outlets	18 x C13 IEC60320 6 x C19 IEC60320 (3 modules with 6xC13 and 2xC19)
Cable locking	Yes, all outlets are compatible with TwyLock® power cords
Number of branches	1
Overload protection	None

Physical specification

Material Classification	LSZH (low smoke, zero halogen) cables and wires
Color	Black powder coated
Product dimensions (W x D x H)	49.8mm x 59.8mm x 1016mm
Product weight	appr. 3.5kg
Shipping dimensions (W x D x H)	194mm x 110mm x 2200mm
Shipping weight	appr. 4.4kg
Mounting	Tool-less rack mounting, 2 mounting buttons included Optional top and bottom mounting brackets

Environmental parameters

Operating temperature	0 - 60°C
Operating relative humidity	10 - 90% RH non-condensing
Operating elevation	0 - 3000m

Product compliance

Certifications/approvals	CE, compliant to IEC 62368-1:2018, EN IEC 61000-6-2:2016 ETSI EN 301 489-1:2019, EN 55032:2015, CISPR 32:2015 EN IEC 61000-6-3:2020, RoHS (2011/65/EU and 2015/863/EU)
Warranty	2 years manufacturer warranty

Disclaimer

© 2025 Riedo Networks Ltd. All rights reserved.

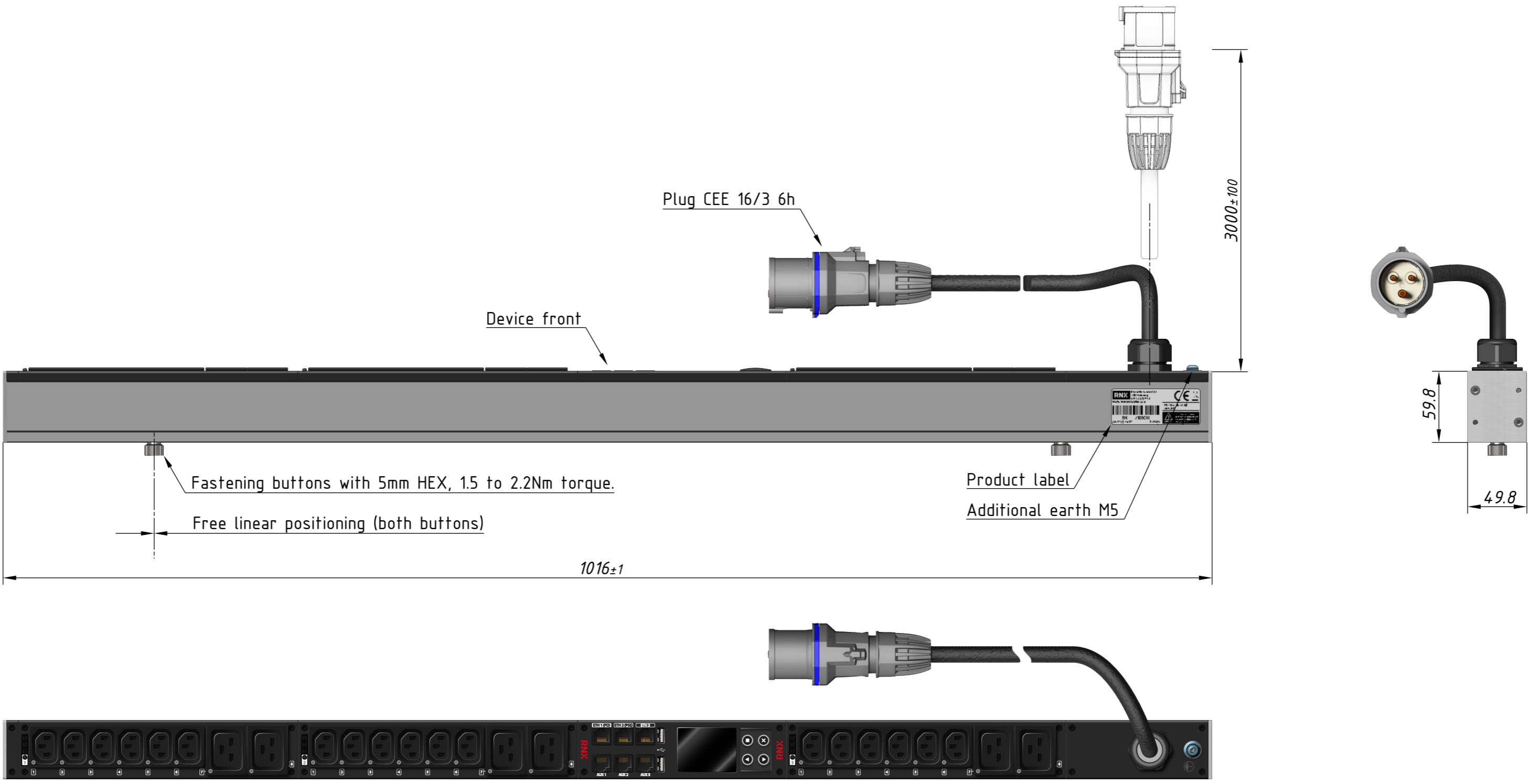
RNX, UPDU and TwyLock are registered trademarks of Riedo Networks.

Every effort has been made to ensure that the information in this product datasheet is accurate. The information in this product datasheet is subject to change without notice and should not be construed as a commitment by Riedo Networks Ltd.

Riedo Networks Ltd assumes no responsibility or liability for any errors or inaccuracies that may appear in this product datasheet.

We reserves all rights in this document and it's subject matter. The recipient hereby acknowledges these rights and assures the use of this document only for the purpose it was delivered. © Riedo Networks Ltd

Dieses Dokument ist unser geistiges Eigentum. Es darf ohne unsere ausdrückliche Genehmigung weder kopiert, vervielfältigt oder weiterverarbeitet, noch an Dritte weitergegeben werden. Zuwiderhandlung ist strafbar und wird strafrechtlich verfolgt. Copyright reserviert © Riedo Networks AG



Disclaimer: Dimensions and illustrative drawings are accurate to the company's knowledge at the time of printing, however specifications are subject to change without notice.

<p>RNX Riedo Networks Ltd, Fribourg, Switzerland www.rnx.ch +4126 505 50 00</p>	<p>Product Drawing</p>	<p>Date: 2024-12-19</p>
	<p>Internal Reference: 100-0547</p> <p>Revision: 3</p> <p>Doc gen: v1.1-529bf3e8</p>	<p>Scale: 0.3 </p>
<p>UPDU Module/Outlet Metered 1x16A 18C13 6C19 black</p>		<p>RN3223</p>