

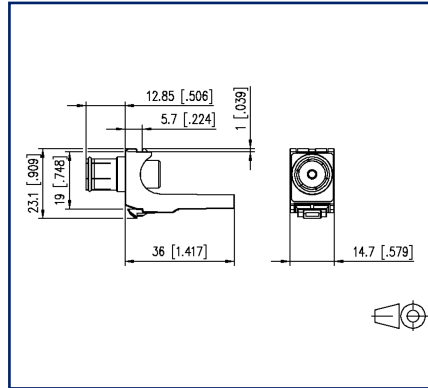
## Data sheet

### COAX modul IEC jack / F jack

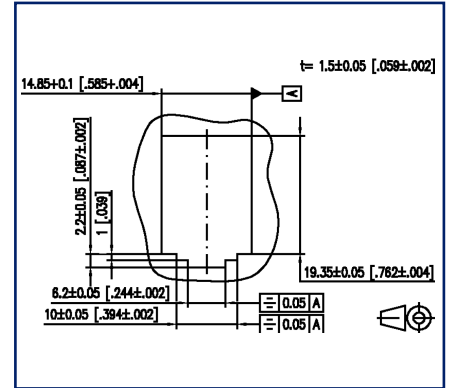
## Illustrations



Dimensional drawing



Drill pattern



See enlarged drawings at the end of document

## Product specification

- Coax connector with adapter in module design, suitable for module applications
- front connection: for IEC plug
- rear connection: for F plug
- 75-Ohm throughput coupling
- without terminator and coupler elements

# P | Cabling

Data sheet

Page 2/7

## COAX modul IEC jack / F jack

P/N

130898-02-I

EAN 4250184105312

2023/04/05

Version: AD

### Technical Data

#### General Data

Mechanical measurement according to MICE	M1
Ingress measurement according to MICE	I1
Climatic measurement according to MICE	C1
Electromagnetic measurement according to MICE	E1
Design	Jack
Shielding	shielded
Transmission technology	Copper
Color	light gray
Dimensions	
Dimension (L x W x H)	48.85 mm x 14.7 mm x 23.1 mm
Dimension (L x W x H)	1.923 in. x 0.579 in. x 0.909 in.
Modularity	yes

#### Connections/interfaces

Number of ports interface 1	1
Number of ports interface 2	1
Number of equipped ports interface 1	1
Number of ports interface 2 equipped	1

#### Mechanical data

Cut-out	module
---------	--------

#### Materials and material properties

Halogen free	yes
RoHS	compliant

#### Classifications

ETIM 5.0	EC001135
ETIM 6.0	EC001135
ETIM 7.0	EC001135
ETIM 8.0	EC001135
ETIM 9.0	EC001135

# P | Cabling

Data sheet

Page 3/7

## COAX modul IEC jack / F jack

P/N

130898-02-I

EAN 4250184105312

2023/04/05

Version: AD

### Technical Data

#### Packing details

Type of packaging	10 pc(s) / box
Packaging unit - Weight (gram)	197 g
Packaging unit - Weight (pound)	0.43 lb
Packaging dimension	258 mm x 164 mm x 51 mm
Packaging dimension	10.157 in. x 6.457 in. x 2.008 in.



# P | Cabling

Data sheet

Page 4/7

## COAX modul IEC jack / F jack

P/N

130898-02-I

EAN 4250184105312

2023/04/05

Version: AD

### Accessories from

P/N	Designation
130861-0202-E	Modul surface mount housing 2 port pure white, unequipped
130861-0302-E	Modul surface mount housing 3 port pure white, unequipped
130861-0402-E	Modul surface mount housing 4 port pure white, unequipped
130861-0602-E	Modul surface mount housing 6 port pure white, unequipped
130861-0802-E	Modul surface mount housing 8 port pure white, unequipped
130861-1202-E	Modul surface mount housing 12 port pure white, unequipped
130861-1602-E	Modul surface mount housing 16 port pure white, unequipped
130861-2402-E	Modul surface mount housing 2x12 port pure white, unequipped
1309107003-E	REGplus IP20 E-DAT modul
130920-00-E	Modul 19 inch module frame 1RU 24 Port light gray unequipped, shielded
130920-BK-E	Modul 19 inch module frame 1RU 24 port black unequipped, shielded
130920-E	E-DAT modul 24x8(8) 1RU patch panel Cat.6 <sub>A</sub> , light gray
130921-00-E	Modul 19 inch module frame 1RU 24 port stainless steel unequipped
130921-E	E-DAT modul 24x8(8) 1RU patch panel Cat.6 <sub>A</sub> , stainless steel
130922-00-E	6 port module frame 1RU
130922-02-E	E-DAT modul 6x8(8) 3RU patch panel Cat.6 <sub>A</sub>
130922-03-E	E-DAT modul 6x8(8) for 1RU patch panel Cat.6 <sub>A</sub>
130924-00-E	Modul 19 inch module frame 1.5RU 48 port stainless steel unequipped
130924-E	E-DAT modul 48x8(8) 1.5RU patch panel Cat.6 <sub>A</sub> , stainless steel
130927-1200-E	SmartConnect Patchpanel 12 ports MC module
130927-1600-E	SmartConnect Patchpanel 16 ports MC module
130927-2400-E	SmartConnect Patchpanel 24 ports MC module
1309426003-E	E-DAT modul REG 1 port IP20 light gray
1309427103-E	Modul REGplus IP20 light gray unequipped
1309A07003-E	REGplus IP20 E-DAT modul coupler 180°
1309A17003-E	REGplus IP20 E-DAT modul coupler 90°
130B10E2E-E	Modul module frame 3RU, 7HP 6 port stainless steel unequipped
130B117003-E	REGplus IP20 C6 <sub>A</sub> modul 180°M
130B11P0-E	C6 <sub>A</sub> modul 24 port 180°M 1RU
130B11P1-E	C6 <sub>A</sub> modul 24 port 180°M 1RU stainless steel

# P | Cabling

Data sheet

Page 5/7

## COAX modul IEC jack / F jack

P/N

130898-02-I

EAN 4250184105312

2023/04/05

Version: AD

### Accessories from

130B11P4-E	C6 <sub>A</sub> modul 48 port 180°M 1.5RU stainless steel
130B127003-E	REGplus IP20 C6 <sub>A</sub> modul 270°M
130D2CBU4-E	DCCS2 subassembly 4 port unequipped
1503600RJ00-B	OpDAT MV hybrid 12xmodule cutouts unequipped IP65
1503600RJ00-E	OpDAT MV hybrid 12xmodule cutouts unequipped IP54
15036ZRJ00-E	OpDAT MV patch panel 12xmodule cutouts unequipped

# P | Cabling

Data sheet

Page 6/7

**COAX modul IEC jack / F jack**

P/N

130898-02-I

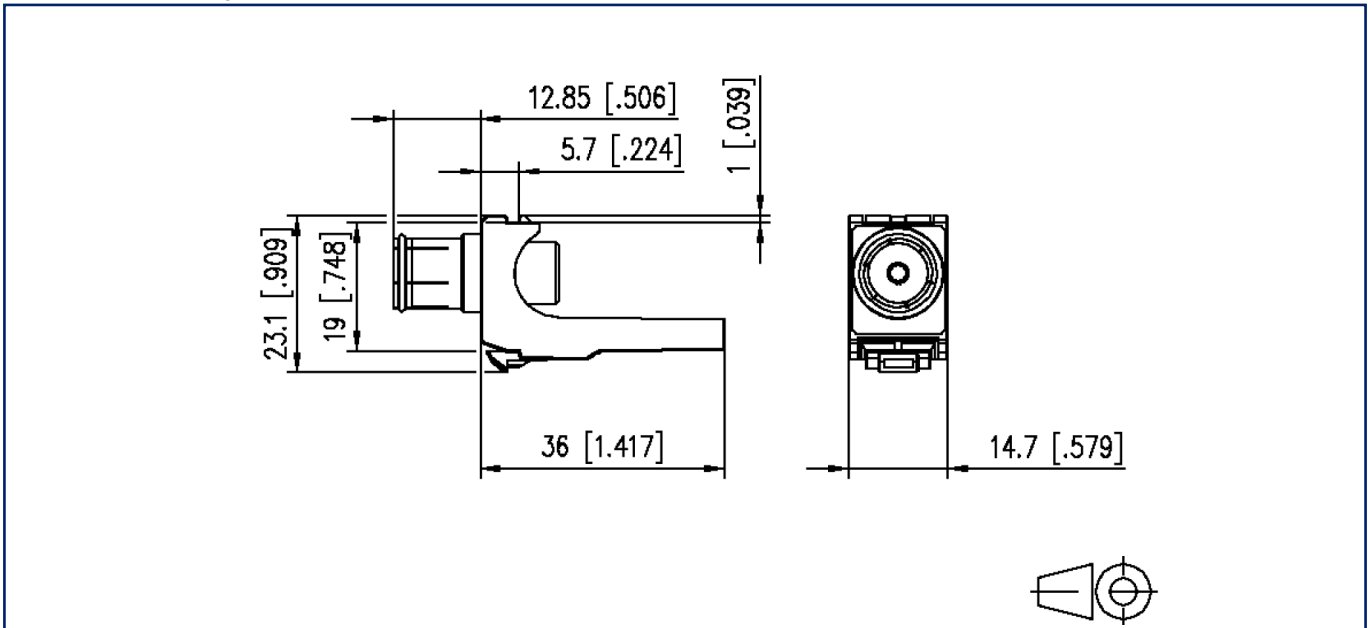
EAN 4250184105312

2023/04/05

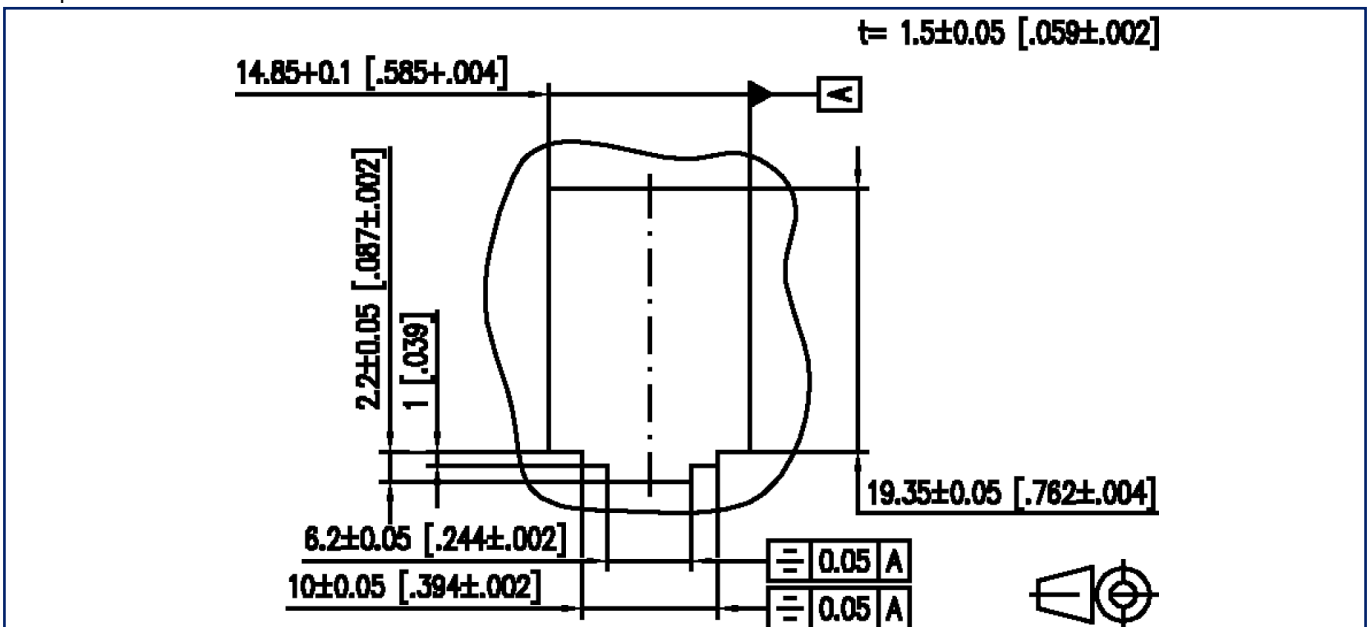
Version: AD

## Illustrations

Dimensional drawing



Drill pattern



# P | Cabling

Data sheet

COAX modul IEC jack / F jack

Page 7/7

P/N  
130898-02-I

EAN 4250184105312

2023/04/05

Version: AD

## Illustrations

Cut-out

