

# 4 / 8-Port 4K HDMI Cat 6 Splitter with Receivers

## VS1824KIT / VS1828KIT

The VS1824KIT / VS1828KIT is a kit that includes 1 splitter and 4 / 8 receivers, distributing an HDMI source at up to 4K @ 30 Hz (4:4:4) to 4 / 8 displays up to 40m away via a single Cat 6 cable. The system also supports lossless digital audio formats such as LPCM 7.1CH, Dolby TrueHD, Dolby Digital Plus & DTS-HD Master Audio. Only one power adapter for the splitter is needed as a result of the receivers being powered by the splitter thanks to the Power over Cable (PoC) functionality, which also helps avoid cluttered cable installation. An HDMI local output port is built on the splitter for content monitoring or cascading purposes. Moreover, the splitter contains a user-adjustable EDID switch, enabling users to configure the output video resolutions and audio capabilities for seamless integration across the system. The receiver's ultra lightweight, palm-sized enclosure ensures flexible installation including mounting and placement in tight spaces.

The kit comes with 1 IR blaster cable for the splitter and 4 / 8 IR receiver cables for receivers, allowing users to remotely control the source device from the receiver side. With plug-and-play operation, no software is required, enabling easy, immediate installation. The VS1824KIT / VS1828KIT delivers excellent AV transmission quality and installation flexibility within different installation scenarios, from meeting facilities, retail settings, showrooms, entertainment systems, and more.



VS1824KIT (1 x VS1824T and 4 x VE1821R)



VS1828KIT (1 x VS1828T and 8 x VE1821R)



Side View

VS1824T



VS1828T



VE1821R

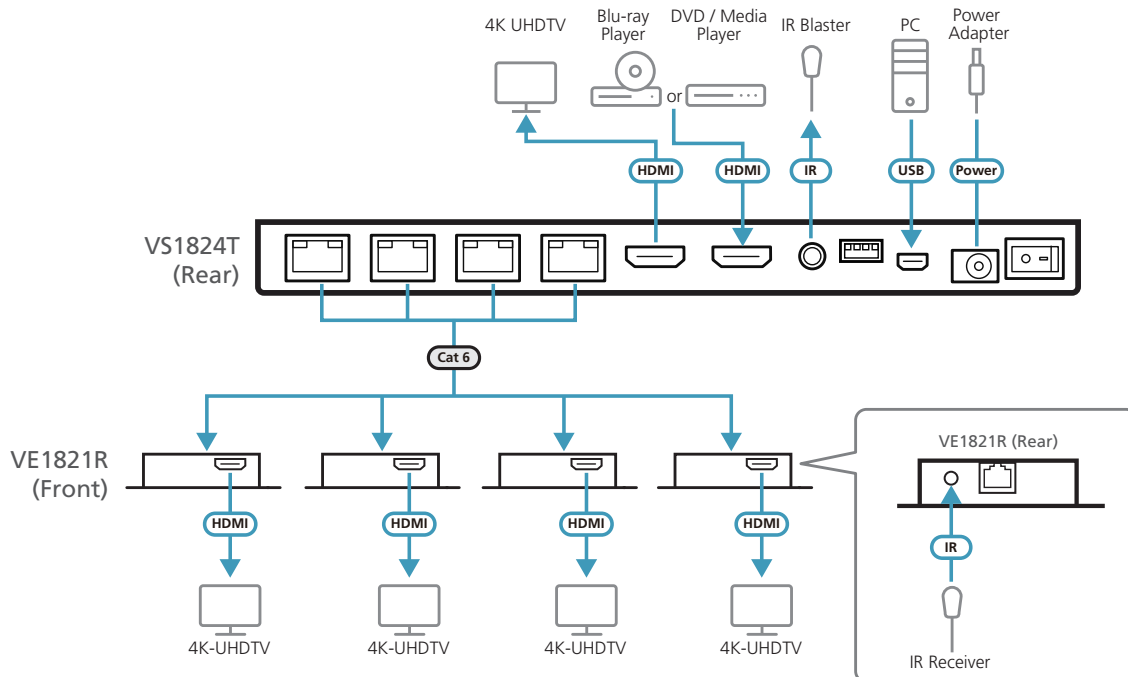


## Features

- A kit that includes 1 splitter and 4 / 8 receivers to distribute 1 HDMI source to 4 / 8 displays up to 40m away via a single Cat 6 cable
- Supports up to 4K @ 30 Hz (4:4:4) for crystal-clear video presentation
- Supports lossless digital audio formats such as LPCM 7.1CH, Dolby TrueHD, Dolby Digital Plus & DTS-HD Master Audio
- HDMI (3D, Deep Color, 4K); HDCP 1.4 compliant
- Power over Cable (PoC) functionality from splitter to receivers to avoid cluttered cable installation
- HDMI local output port on splitter for content monitoring or cascading purposes
- User-adjustable EDID switch on splitter for output video resolutions and audio capabilities configuration
- VE1821R's ultra lightweight, palm-sized case enables flexible installation including mounting and placement in tight spaces



- One-way IR channel for remote control of the source device from the receiver side
- Built-in 4KV/8KV ESD protection
- Plug-and-play — no additional software needed



**Note:** A VS1824T splitter is used as an example to illustrate the installation. As for VS1828T splitter, it is equipped with 8 link ports for connecting up to 8 VE1821R receivers.

## Specifications

	VS1824KIT (1 x VS1824T and 4 x VE1821R)	
	VE1821R	VS1824T
<b>Video Input</b>		
Interfaces	N/A	1 x HDMI Type A Female (Black)
Impedance	N/A	100 Ω
Max. Distance	N/A	3 m
<b>Video Output</b>		
Interfaces	1 x HDMI Type A Female (Black)	
Impedance	100 Ω	
Max. Distance	3 m	
<b>Video</b>		
Max. Data Rate	10.2 Gbps (3.4 Gbps per lane)	
Max. Pixel Clock	340 MHz	
Compliance	HDMI (3D, Deep Color, 4K) HDCP1.4 Compatible	
Max. Resolutions / Distance	Up to 4K@30m (Cat5e), 40m (Cat 6/ATEN 2L-2910); 1080p@35m (Cat5e), 50m (Cat 6/ATEN 2L-2910) *4K supported: 4096 x 2160 / 3840 x 2160 @ 30Hz (4:4:4)	
<b>Audio</b>		
Input	N/A	1 x HDMI Type A Female (Black)
Output	1 x HDMI Type A Female (Black)	1 x HDMI Type A Female (Black)
<b>Control</b>		
IR Channel	1 x Mini Stereo Jack Female (Black) <b>Note:</b> The IR channel of the receiver is a unidirectional bypass channel, transmitting data from receiver to transmitter.	
<b>Connectors</b>		
Unit To Unit	1 x RJ-45 Female	4 x RJ-45 Female
Power	1 x RJ-45 Female (Power over Cable, power supply from VS1824T)	1 x DC Jack (Black) with locking
Maintenance	N/A	Micro USB for F/W upgrade
<b>Switches</b>		
Mode Switch	N/A	EDID Mode Selection
Power	N/A	Power ON/OFF
<b>Power Consumption</b>		
	11W <b>Note:</b> The maximum power consumption assumes that all receivers in the package are installed.	
<b>Environmental</b>		
Operating Temperature	0 – 40 °C	
Storage Temperature	-20 – 60 °C	
Humidity	20 – 90% RH, Non-condensing	
<b>Physical Properties</b>		
Housing	Metal	
Weight	126g	448g
Dimensions (L x W x H) with bracket	7.95 x 6.80 x 1.65 cm	N/A (Housing comes without bracket)
Dimensions (L x W x H) without bracket	5.75 x 6.80 x 1.65 cm	21.0 x 8.20 x 1.80 cm

## Specifications

	VS1828KIT (1 x VS1828T and 8 x VE1821R)	
	VE1821R	VS1828T
<b>Video Input</b>		
Interfaces	N/A	1 x HDMI Type A Female (Black)
Impedance	N/A	100 Ω
Max. Distance	N/A	3 m
<b>Video Output</b>		
Interfaces	1 x HDMI Type A Female (Black)	
Impedance	100 Ω	
Max. Distance	3 m	
<b>Video</b>		
Max. Data Rate	10.2 Gbps (3.4 Gbps per lane)	
Max. Pixel Clock	340 MHz	
Compliance	HDMI (3D, Deep Color, 4K) HDCP1.4 Compatible	
Max. Resolutions / Distance	Up to 4K@30m (Cat5e), 40m (Cat 6/ATEN 2L-2910); 1080p@35m (Cat5e), 50m (Cat 6/ATEN 2L-2910) *4K supported: 4096 x 2160 / 3840 x 2160 @ 30Hz (4:4:4)	
<b>Audio</b>		
Input	N/A	1 x HDMI Type A Female (Black)
Output	1 x HDMI Type A Female (Black)	1 x HDMI Type A Female (Black)
<b>Control</b>		
IR Channel	1 x Mini Stereo Jack Female (Black) <b>Note:</b> The IR channel of the receiver is a unidirectional bypass channel, transmitting data from receiver to transmitter.	
<b>Connectors</b>		
Unit To Unit	1 x RJ-45 Female	8 x RJ-45 Female
Power	1 x RJ-45 Female (Power over Cable, power supply from VS1828T)	1 x DC Jack (Black) with locking
Maintenance	N/A	Micro USB for FW upgrade
<b>Switches</b>		
Mode Switch	N/A	EDID Mode Selection
Power	N/A	Power ON/OFF
<b>Power Consumption</b>		
	19.2W <b>Note:</b> The maximum power consumption assumes that all receivers in the package are installed.	
<b>Environmental</b>		
Operating Temperature	0 – 40 °C	
Storage Temperature	-20 – 60 °C	
Humidity	20 – 90% RH, Non-condensing	
<b>Physical Properties</b>		
Housing	Metal	
Weight	126g	565g
Dimensions (L x W x H) with bracket	7.95 x 6.80 x 1.65 cm	N/A (Housing comes without bracket)
Dimensions (L x W x H) without bracket	5.75 x 6.80 x 1.65 cm	29.5 x 8.20 x 1.80 cm

### ATEN International Co., Ltd.

3F., No.125, Sec. 2, Datung Rd., Sijhih District., New Taipei City 221, Taiwan  
 Phone: 886-2-8692-6789 Fax: 886-2-8692-6767  
 www.aten.com E-mail: marketing@aten.com

Product information is subject to change without prior notice.

Released: 02/2024 V1.0

© Copyright 2024 ATEN® International Co. Ltd.  
 ATEN and the ATEN logo are registered trademarks of ATEN International Co., Ltd.  
 All rights reserved. All other trademarks are the property of their respective owners.  
 The terms HDMI, HDMI High-Definition Multimedia Interface, and the HDMI Logo are trademarks or registered trademarks of HDMI Licensing Administrator, Inc.

