

KE Series Single Rack Mount Kit – 2X-031G

Installation Guide



This single rack mounting kit installs one KE Series unit in 1U of server rack space.



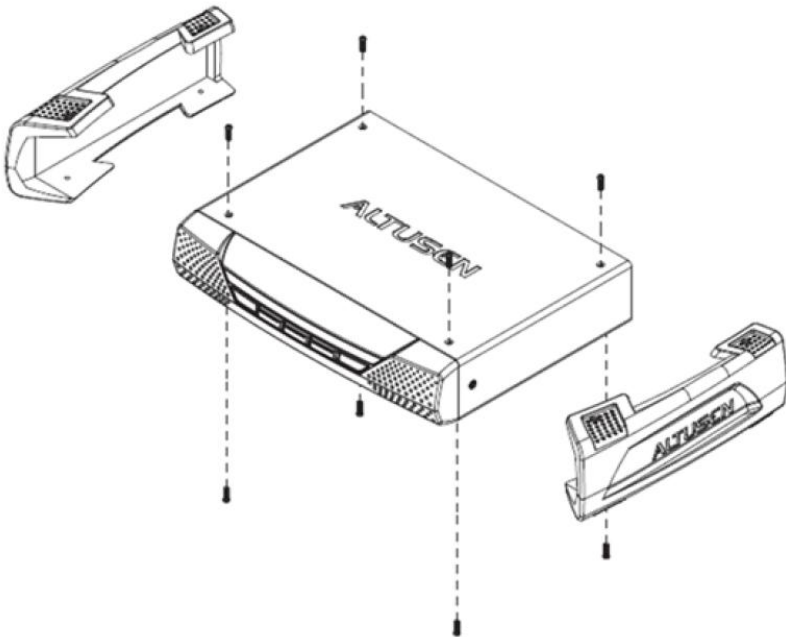
MISC00000271 06/2023 V4.0

Package Contents

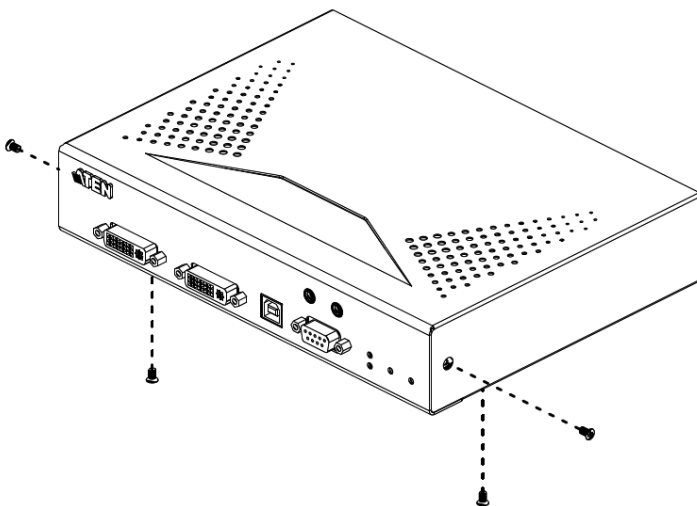
Qty	Description
1	right mounting bracket
1	left mounting bracket
2	flat head screws
2	pan head screws

Installation:

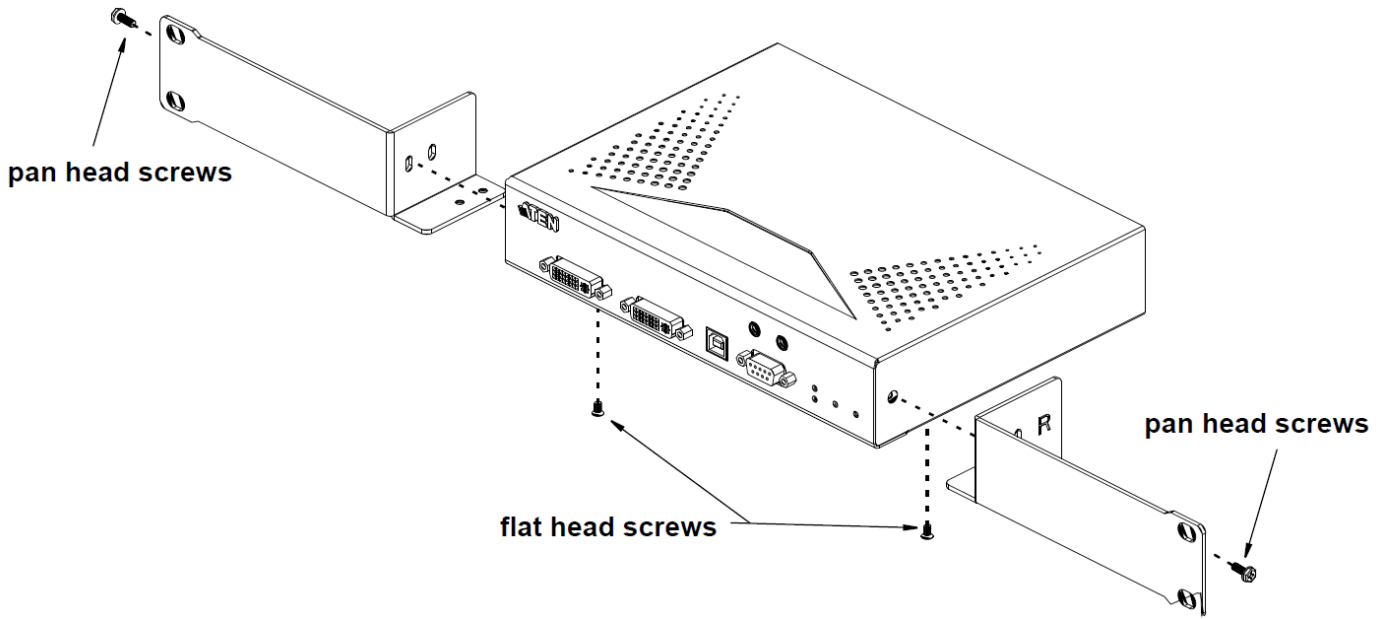
1. Remove the screws and plastic guards from the KE Series receiver unit.



2. Remove the bottom and side screws from the KE Series transmitter unit.



3. Use the flat head and pan head screws provided to install the right and left mounting brackets. The example used in the diagram below is a KE Series transmitter unit, the procedure for connecting to a receiver unit is identical.



4. Screw the mounting brackets to the rack. The example used in the diagram below is a KE Series transmitter unit, the procedure for connecting to a receiver unit is identical.

