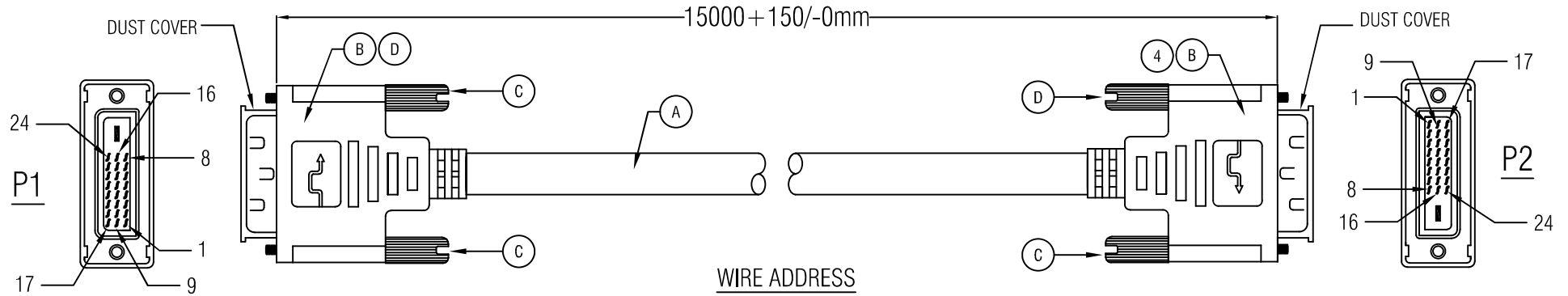
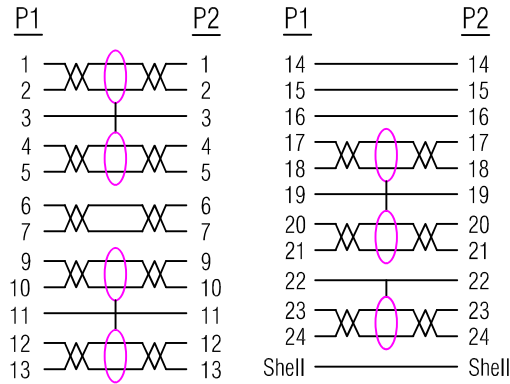


RoHS Compliant



WIRE ADDRESS



- Electrical Test:
- 1.100% TEST OPEN SHORT MIS-WIRE.
 - 2.CONTACT RESISTANCE:10Ω MAX.
 - 3.INSULATION RESISTANCE:5MΩ MIN.
 - 4.HI-POT:300V DC/10MS.
 - 5.Real Test Passed 1920*1080P 60Hz.
 - 6.Real Test Not Twinkling,Double Vision and Decolor.

D		
C		
B		
VER.A	REVISE	DATE

NUMBER	PRODUCT SPECIFICATIONS	Quantity	Unit
D	45P PVC BLACK		G
C	#4-40UNC φ2.3*48mm BLACK INSULATOR	4	PCS
B	DVI24+1P MALE(Black Insulator,Nickel Plated)	2	PCS
A	UL20276,(24#*1P+D+FAM)*7PCS+24#*1P+24#*3C,AL+MYLAR+B,OD=12mm BLACK PVC JACKET.	1	PCS

ROLINE DVI Dual Link (24+1)Cable, 15m, black		SECOMP
Item	11.04.5598	
Draw	Kobe Date: 2015.11.18	
Approval		
Maker	F16	